

Honoured with:



Cassette awning

Semina Life

Semina Life LED | Valance Plus |
LED Valance Plus

Semina Life is the all-rounder among cassette-awnings. It impresses due to its modern, fresh design combined with weinor's technology tried and tested over many years. As it is such superb value for money the **Semina Life** is a real alternative to the semi-cassette. Its many technical highlights provide superb comfort and a long operating life. Whether young or old, modern or traditional: **Semina Life** is always just the right choice – in a class of its own!



Modern design covers:
The stainless steel look headplate rings can be combined with the required frame colour



Integrated rain gutter:
Water drain



Wall mounting



Ceiling mounting



Rafter mounting



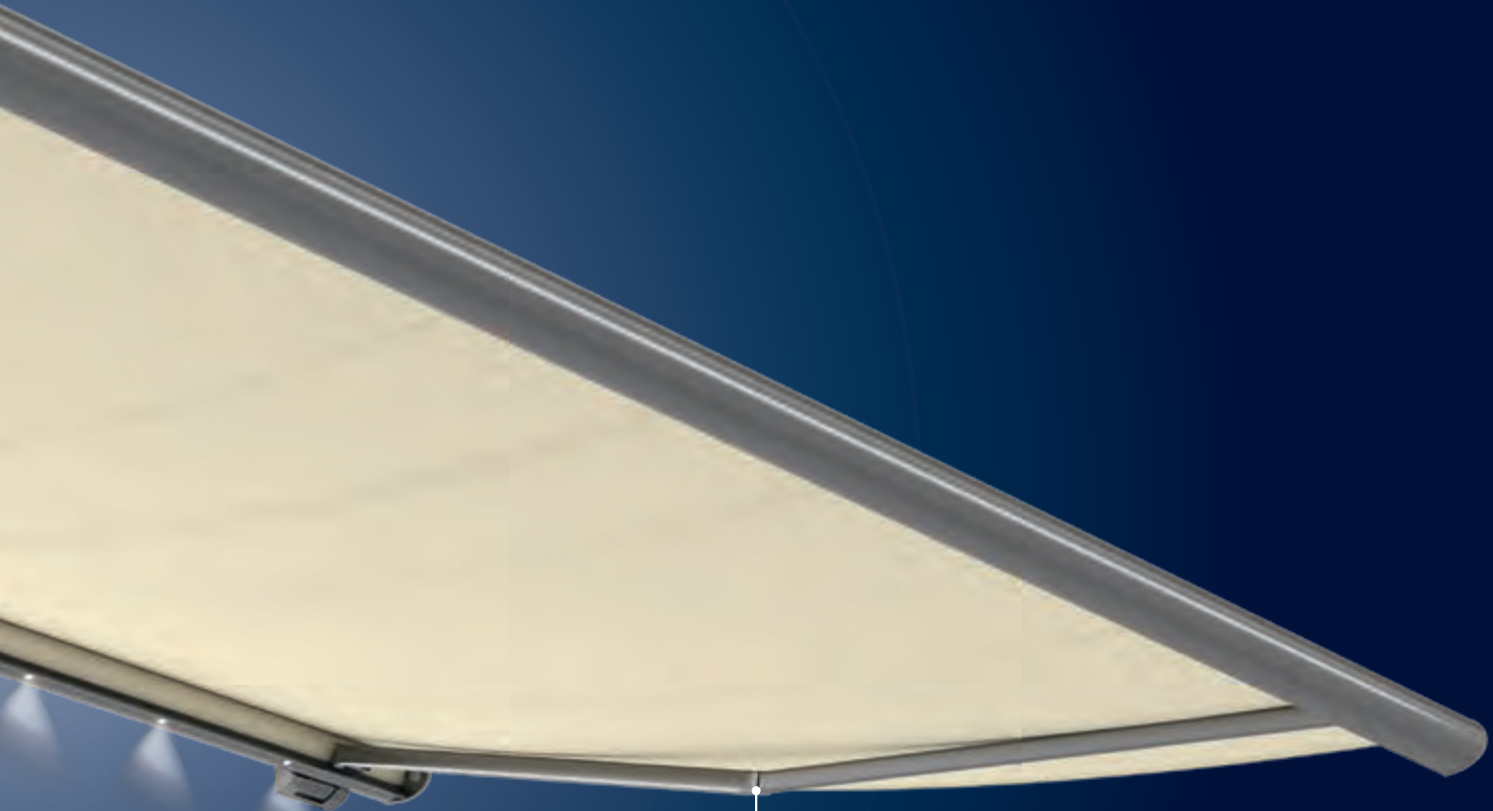
Semina Life LED (optional):
Integrated lighting

Semina Life Highlights



Valance Plus option:
Vertical privacy and sun protection

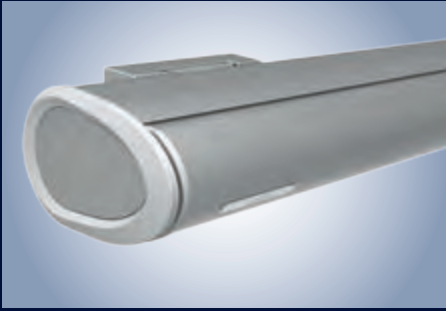
Both the awning and Valance Plus are available either with gear drive or motor drive.



weinor LongLife arm:
Very durable and low-noise



Semina Life Benefits



Cassette-awning – youthful design with state-of-the-art technology

The Semina Life cassette is chic and offers protection against the weather.

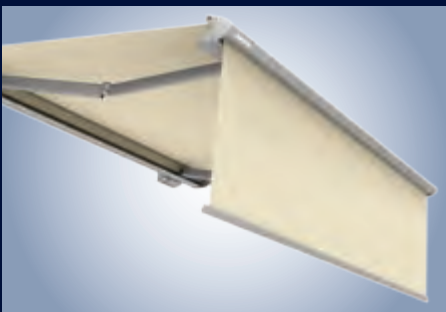
- Innovative closing of the awning causing practically no wear at all thanks to the cushioned infeed rollers
- Beautifully shaped stainless steel look aluminium headplate rings



Semina Life LED – cassette with integrated LED lighting

The LED spotlights integrated into the cassette produce atmospheric lighting on the patio.

- 30,000 LED light hours with lowest energy consumption (85% electricity saving compared to halogen technology)
- LED infinitely dimmable using weinor's BiConnect control



Valance Plus – vertical privacy and sun protection

The Valance Plus is elegantly integrated into the awning's drop profile. It provides privacy and glare protection even with a low-lying sun.

- Continuously extendable up to 210 cm
- Patented weinor OptiFlow-System® to keep fabric ideally positioned and to close the drop profile safely



Two-part bracket cover – simple angle of pitch adjustment

The lower part of the beautifully shaped cover can be easily removed. As a result there is very easy access to the screws for the angle of pitch adjustment. The pitch in the brackets is preset at the factory for easy installation.

Semina Life Technology

01

Semina Life versions	Semina Life	Semina Life LED
Technology		
Max. width	650 cm	650 cm
Max. projection	400 cm	400 cm
Cassette size (w x h) incl. standard bracket	307 mm x 194 mm	307 mm x 194 mm
Gear drive	○	—
Motor drive	● as standard	● as standard
Angle of pitch on awning	5° to 25°	5° to 25°
Installation alternatives	can be installed on walls, ceilings and rafters	
LED lighting (separate spotlights)	—	● integrated into the awning's cassette
OptiNut pipe	● as standard	● as standard
LongLife arm	● as standard	● as standard
Valance Plus option		
Max. width	600 cm	600 cm
Max. awning projection	350 cm	350 cm
Cassette size (w x h)	367 x 194 mm	367 x 194 mm
Gear drive	○	○
Motor drive	● as standard	● as standard
Valance Plus projection (h)	100 cm, 150 cm, 210 cm	100 cm, 150 cm, 210 cm
Patented weinor Opti-Flow-System®	● as standard	● as standard
Accessories		
Tempura/Tempura Quadra heating system	○ bracket with special attachment	○ bracket with special attachment
BiSens Agido-3V product protection sensor	○	○
Controls		
Radio control	○	○
No remote	●	●
Weather sensors		
Sun/wind sensor BiConnect BiSens SW-230 V	○	○
Sun/wind sensor solar powered BiConnect BiSens SW-Solar+	○	○
Sun/wind/rain sensor BiConnect-BiSens-SWR-230V	○	○
Quality		
Tested up to	wind resistance class 2 according to DIN 13561 (wind strength 5 on the Beaufort scale)	

● standard ○ optional — unavailable

Semina Life LED



LED lighting – 30,000 hours of lighting with lowest energy consumption

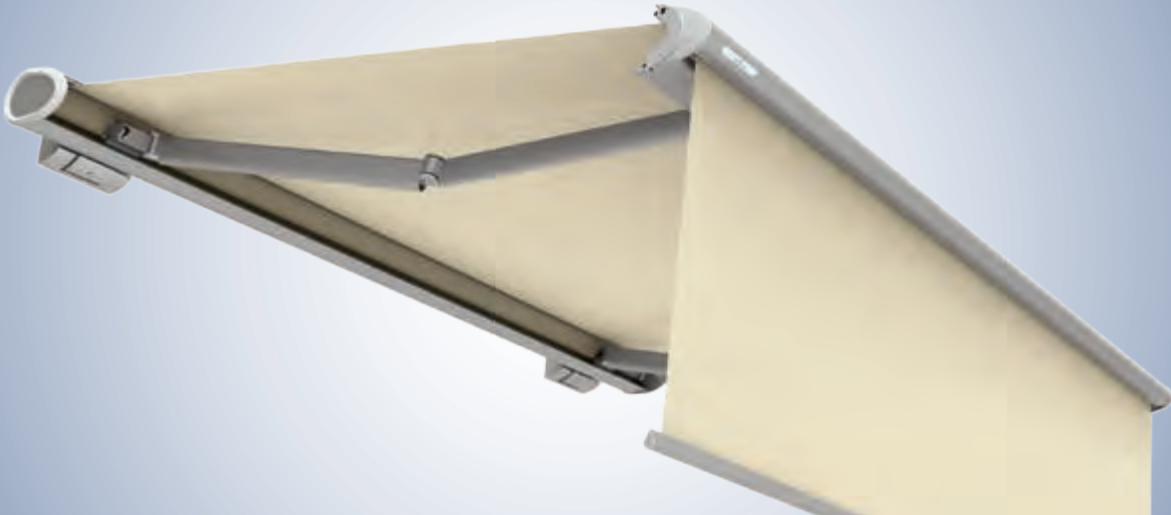
Select LED components for top weinor quality:

- Atmospheric light thanks to special glass lenses
- Visually integrated into the cassette
- Lighting remains on even when awning is retracted
- Highly energy-efficient
- Operating life of 30,000 hours
- Infinitely dimmable when used with BiConnect radio control
- Easy to service: simply replace individual LED lights without dismantling the awning

Integrated LED lighting

Awning width in cm	Number of separate LED spotlights	Awning width in cm	Number of separate LED spotlights
up to 150	2	381 – 440	7
151 – 220	3	441 – 490	8
221 – 270	4	491 – 550	9
271 – 330	5	551 – 650	10
331 – 380	6		

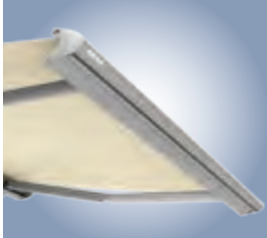
Semina Life Valance Plus



More privacy thanks to vertical privacy and sun screen (optional)

The gear-operated or motorised vertical awning is elegantly integrated into the awning's front profile.

- Glare protection and privacy shield up to a maximum valance height of 210 cm
- Extends to any length
- Use Valance Plus with an awning angle of pitch between 10° and 20°
- Valance Plus cannot be retrofitted
- Valance Plus with motor only with motorised awning



Closed



Motorised



Gear drive

Maximum awning size for Valance Plus

Motorised main drive				Gear main drive			
Width	600 cm	Projection	350 cm	Width	500 cm	Projection	350 cm
				Width	600 cm	Projection	300 cm

Available fabrics for the Valance Plus

	Soltis® 86, 92		Acrylic		Perluca		Polyester		Star-Screen	Fibreglass screen	
Pattern	unicolour	unicolour	stripes	unicolour	unicolour	unicolour	unicolour	stripes	unicolour	unicolour	
Roll width	177 cm	267 cm	120 cm	120 cm	240 cm	120 cm	240 cm	120 cm	120 cm	325 cm	max. 320 cm*
Valance length											
100 cm	N	N	L	N	N	N/L	N	L	N	N	N
150 cm	N	N	–	Q	N	Q	N	–	Q	N	N
210 cm	Q	N	–	Q	N	Q	N	–	Q	N	–

- N Seamless: seamless fabric; structure of fabric runs crosswise to structure of awning fabric
- Q Transverse seam: fabric with transverse seam; either in top or bottom third as desired; structure of fabric runs diagonally to structure of awning fabric
- L Longitudinal seam: structure of fabric runs longitudinally to structure of awning fabric
- Not available
- * Max. roll widths are stipulated in the collection brochure

Please note: On the gear-driven Valance Plus, it is possible that the Valance Plus bottom rail will close unevenly.

Semina Life Controls



The receiver, power supply pack and other electrical components, such as the BiConnect receiver are integrated into the cassette

The faceplate can be easily be opened for servicing purposes.

The receiver, which is separate from the drive, is then easily accessible.



Exclusive retraction protection

- Co-ordinated retraction: first the Valance Plus, then the awning
- To make sure nothing gets knocked over on the terrace

weinor BiConnect radio technology

Product	Electronics	BiConnect control	Remote receiver	Transmitter
Semina Life	Semina Life drive	<ul style="list-style-type: none"> • BiRec receiver integrated into cassette 	BiRec MA-K	<ul style="list-style-type: none"> • BiEasy 1M/5M/15M Go! hand transmitter • App • 1MW-3V wall transmitter
Semina Life LED	Semina Life drive and LED lighting	<ul style="list-style-type: none"> • BiRec combi-receiver for main drive and LED spotlights (with integrated power supply pack) integrated into cassette • Dimmable LED 	BiRec MLED	<ul style="list-style-type: none"> • BiEasy 5M/15M Go! hand transmitter • App
Semina Life Valance Plus	Semina Life and Valance Plus drive	<ul style="list-style-type: none"> • BiRec combi-receiver for main drive and Valance Plus drive integrated into cassette • Table clearing protection • Gradual soft stop 	BiRec MVLED	<ul style="list-style-type: none"> • BiEasy 5M/15M Go! hand transmitter • App
Semina Life LED Valance Plus	Semina Life and Valance Plus drive and LED lighting	<ul style="list-style-type: none"> • BiRec combi-receiver for main drive, Valance Plus drive and LED spotlights (with integrated power supply pack) integrated into cassette • Dimmable LED • Table clearing protection 	BiRec MVLED	<ul style="list-style-type: none"> • BiEasy 5M/15M Go! hand transmitter • App
Accessories (optional)	Tempura/Tempura Quadra heating system	<ul style="list-style-type: none"> • Dimmable, additional receiver required • Installation of the receiver in the design bar provided for this purpose or the Tempura Quadra box 	BiRec HD	<ul style="list-style-type: none"> • BiEasy 5M/15M Go! hand transmitter • App

Requires: awning with BiConnect remote control and sensors require a BiEasy 1M, 5M or 15M Go!

Somfy io-homecontrol® radio technology

Product	Electronics	Somfy io-homecontrol control	Remote receiver	Transmitter
Semina Life	Semina Life drive	<ul style="list-style-type: none"> Somfy io remote-controlled motor integrated into cassette 	Somfy io remote-controlled motor	<ul style="list-style-type: none"> Situo 1 io Pure/Situo 5 io Pure/Situo 5 io Pure Variation A/M hand transmitter Smooove 1 io Pure Shine wall transmitter
Semina Life LED	Semina Life drive and LED lighting	<ul style="list-style-type: none"> Somfy io remote-controlled motor integrated into cassette Additional Somfy receiver for the LED spotlights (with downstream power supply pack) integrated into cassette LED not dimmable 	Somfy io remote-controlled motor and Lighting Receiver io	<ul style="list-style-type: none"> Situo 5 io Pure/Situo 5 io Pure Variation A/M hand transmitter
Semina Life Valance Plus	Semina Life and Valance Plus drive	<ul style="list-style-type: none"> Somfy io remote-controlled motor integrated into cassette Additional Somfy receiver for Valance Plus drive integrated into cassette No retraction protection in windy conditions 	Somfy io remote-controlled motor and radio control Awning Slim Receiver io Plug	<ul style="list-style-type: none"> Situo 5 io Pure/Situo 5 io Pure Variation A/M hand transmitter
Semina Life LED Valance Plus	Semina Life and Valance Plus drive and LED lighting	<ul style="list-style-type: none"> Somfy io remote-controlled motor integrated into cassette Additional Somfy receiver for Valance Plus drive and LED spotlights (with downstream power supply pack) integrated into cassette LED not dimmable No retraction protection in windy conditions 	Somfy io remote-controlled motor, Lighting Receiver io and radio control Awning Slim Receiver io Plug	<ul style="list-style-type: none"> Situo 5 io Pure/Situo 5 io Pure Variation A/M hand transmitter
Accessories (optional)	Tempura/Tempura Quadra heating system	<ul style="list-style-type: none"> Not dimmable, additional receiver required Installation of the receiver in the design bar provided for this purpose or the Tempura Quadra box 	Heating Slim Receiver on/off io 2KW STAS3/STAK3	<ul style="list-style-type: none"> Situo 1 io Pure/Situo 5 io Pure/Situo 5 io Pure Variation A/M hand transmitter Smooove 1 io Pure Shine wall transmitter

Somfy RTS radio technology

Product	Electronics	Somfy RTS control	Remote receiver	Transmitter
Semina Life	Semina Life drive	<ul style="list-style-type: none"> Somfy RTS remote-controlled motor integrated into cassette 	Somfy RTS remote-controlled motor	<ul style="list-style-type: none"> Telis 1 RTS Pure/Telis 1 Soliris RTS Pure/Telis 4 RTS Pure/Telis 4 Soliris RTS Pure hand transmitter Smooove 1 wall transmitter
Semina Life LED	Semina Life drive and LED lighting	<ul style="list-style-type: none"> Somfy RTS remote-controlled motor integrated into cassette Additional Somfy receiver for the LED spotlights (with downstream power supply pack) integrated into cassette LED not dimmable 	Somfy RTS remote-controlled motor and Lighting Slim Receiver RTS	<ul style="list-style-type: none"> Telis 4 RTS Pure/Telis 4 Soliris RTS Pure hand transmitter
Semina Life Valance Plus	Semina Life and Valance Plus drive	<ul style="list-style-type: none"> Somfy RTS remote-controlled motor integrated into cassette Additional Somfy receiver for Valance Plus drive integrated into cassette No retraction protection in windy conditions 	Somfy RTS remote-controlled motor and Universal Receiver RTS	<ul style="list-style-type: none"> Telis 4 RTS Pure/Telis 4 Soliris RTS Pure hand transmitter
Semina Life LED Valance Plus	Semina Life and Valance Plus drive and LED lighting	<ul style="list-style-type: none"> Additional Somfy receiver for Valance Plus drive and LED spotlights (with downstream power supply pack) integrated into cassette LED not dimmable No retraction protection in windy conditions 	Somfy RTS remote-controlled motor, Universal Receiver RTS and Lighting Slim Receiver RTS	<ul style="list-style-type: none"> Telis 4 RTS Pure/Telis 4 Soliris RTS Pure hand transmitter
Accessories (optional)	Tempura/Tempura Quadra heating system	<ul style="list-style-type: none"> Not dimmable, additional receiver required Installation of the receiver in the design bar provided for this purpose or the Tempura Quadra box 	Heating Slim Receiver RTS Plug	<ul style="list-style-type: none"> Telis 4 RTS Pure/Telis 4 Soliris RTS Pure hand transmitter

Hard wired with Somfy control

Product	Electronics	Hard wired Somfy control	Control
Semina Life	Semina Life drive	<ul style="list-style-type: none"> • Somfy control for awning drive 	e.g. Soliris Smooove Uno
Semina Life LED	Semina Life drive and LED lighting	<ul style="list-style-type: none"> • Somfy control for awning drive • Switch on site for the LED spotlights • LED power supply pack integrated into the cassette • LED not dimmable 	e.g. Soliris Smooove Uno and suitable light switch (on site)
Semina Life Valance Plus	Semina Life and Valance Plus drive	<ul style="list-style-type: none"> • Somfy control for awning drive • Switch on site for the Valance Plus drive • No retraction protection in windy conditions 	e.g. Soliris Smooove Uno and suitable double rocker switch (on site)
Semina Life LED Valance Plus	Semina Life and Valance Plus drive and LED lighting	<ul style="list-style-type: none"> • Somfy control for awning drive • Switch on site for the Valance Plus drive • No retraction protection in windy conditions • Switch on site for the LED spotlights • LED power supply pack integrated into the cassette • LED not dimmable 	e.g. Soliris Smooove Uno, and suitable double rocker switch and light switch (on site)
Accessories (optional)	Tempura/Tempura Quadra heating system	<ul style="list-style-type: none"> • Not dimmable 	Suitable switch (on site)

Hard wired (existing switch/power supply on site)

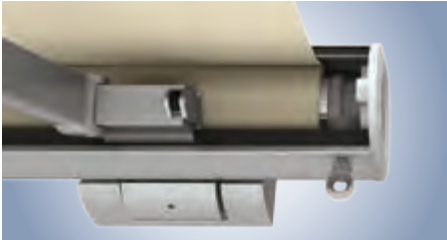
Product	Electronics	Hard wired control	Control
Semina Life	Semina Life drive	<ul style="list-style-type: none"> • Awning switch for the awning drive 	e.g. double rocker switch switch (on site)
Semina Life LED	Semina Life drive and LED lighting	<ul style="list-style-type: none"> • Awning switch for the awning drive • Switch on site for the LED spotlights • LED power supply pack integrated into the cassette • LED not dimmable 	e.g. double rocker switch and suitable light switch (on site)
Semina Life Valance Plus	Semina Life and Valance Plus drive	<ul style="list-style-type: none"> • Awning switch for the awning drive • Switch on site for the Valance Plus drive • No retraction protection in windy conditions 	e.g. 2 double rocker switches (on site)
Semina Life LED Valance Plus	Semina Life and Valance Plus drive and LED lighting	<ul style="list-style-type: none"> • Awning switch for the awning drive • Switch on site for the Valance Plus drive • No retraction protection in windy conditions • Switch on site for the LED spotlights • LED power supply pack integrated into the cassette • LED not dimmable 	e.g. 2 double rocker switches and suitable light switch (on site)
Accessories (optional)	Tempura/Tempura Quadra heating system	<ul style="list-style-type: none"> • Not dimmable 	Suitable switch (on site)

Note:

Please see the "Accessories" technical brochure for further details regarding the drive and control.

Some options are subject to a surcharge. For prices, please refer to the weinor awnings price list.

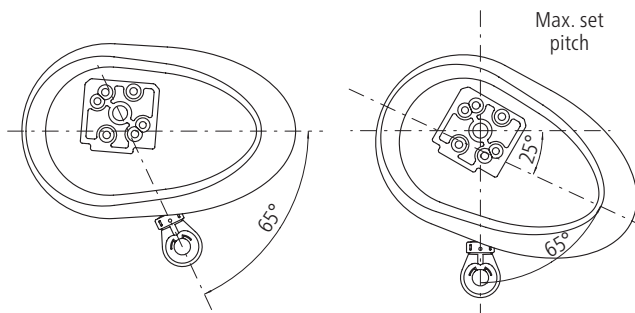
Gear drive (optional)



The Semina Life can of course be extended and retracted using a gear handle too (with a max. projection of 350 cm). This option is recommended whenever it is hard to connect to an electrical power source on the site or if the awning is not frequently used.

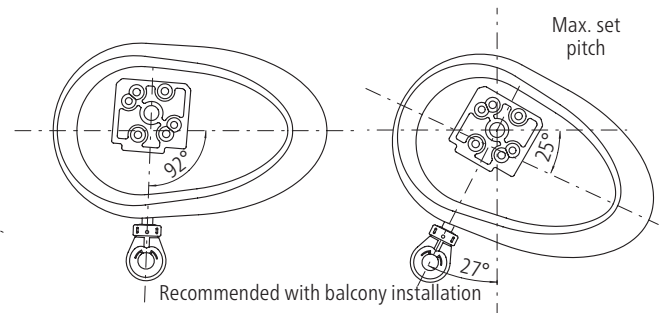
- The Semina Life has a universal bevel gear system.
- End stop adjustable from outside
- Tested according to DIN EN 14203
- Freewheel device when extended

Gear drive installation options based on the awning's type of installation



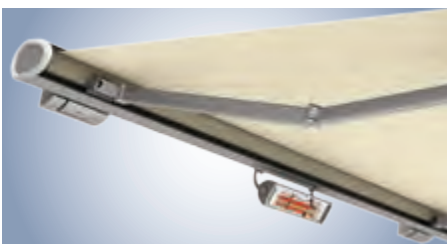
Standard gear outlet with wall mounting

Gear drive installation options based on the awning's type of installation



Gear outlet with ceiling/balcony installation

Tempura heating system (optional)

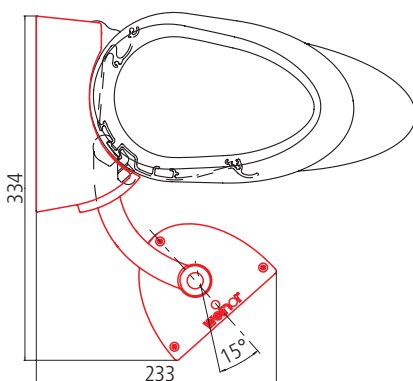


The perfect combination: Semina Life with Tempura heating system, Valance Plus and BiConnect*:

- Automated retraction with BiConnect: first the Valance Plus, then the awning
- As a result, the Valance Plus is protected from the material being damaged due to overheating by the Tempura heating system

Please note:

The Tempura's angle of pitch is restricted to 15° as standard. (This restriction is to avoid the wall being heated up too much by the Tempura.) The grub screw, which restricts the angle of pitch, can be removed if the Semina Life is adjusted up to 10° at the most. Then it is possible to adjust the Tempura's angle of pitch up to 30°.



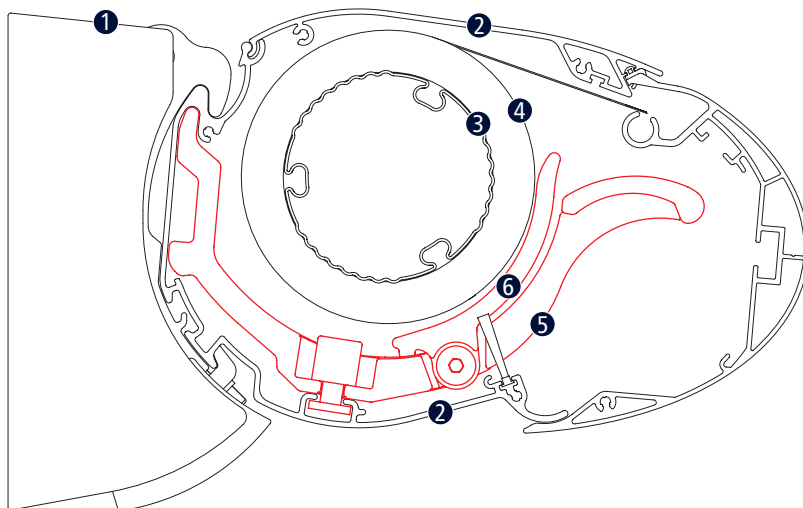
* The heating may not be attached to awnings with Valance Plus. Unless a control is used which ensures that the awning is always extended first and then the Valance Plus and that the Valance Plus is always retracted first before the awning. In this way safety clearances are always adhered to.

Semina Life Roller support

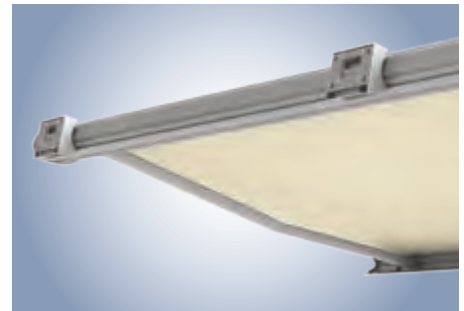


Semina Life: wall mounting with centre bracket and roller support

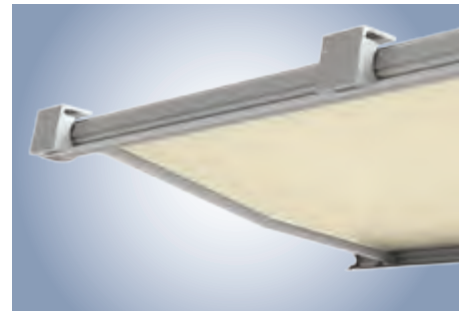
- From a width of 551 cm or more, a roller support and centre bracket is used in the middle
- The sliding support bearing is preassembled and can be adjusted to the size of the fabric roll accordingly
- Support of load against the wall or roof by means of simple screw fastening



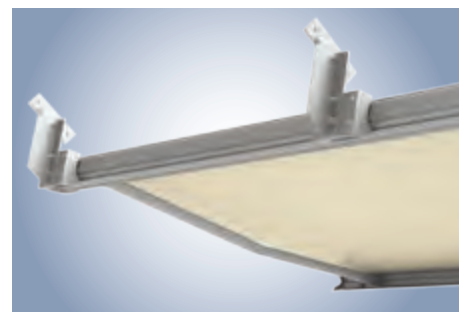
- 1 Centre bracket (wall bracket)
- 2 Cassette
- 3 Fabric roller bearing
- 4 Fabric rolls
- 5 Roller support
- 6 Sliding support bearing



Semina Life centre bracket: wall mounting (rear view)

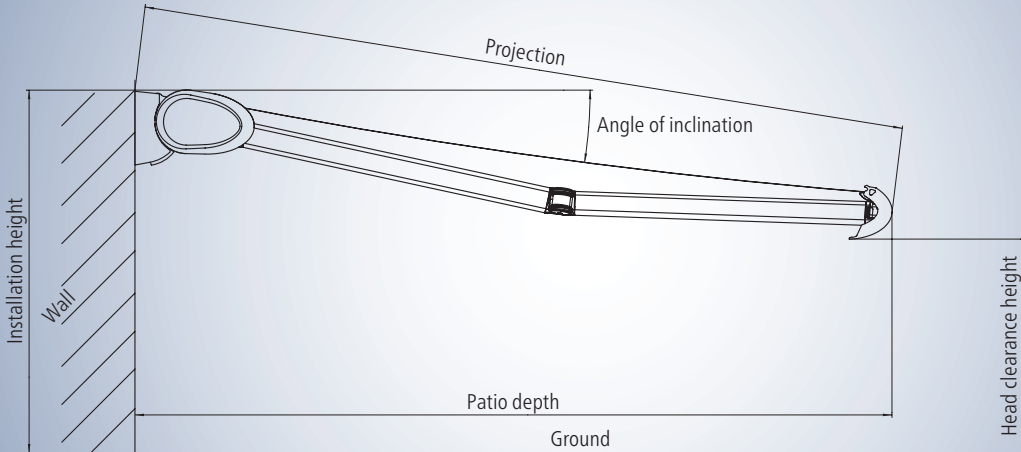


Semina Life centre bracket: roof mounting (rear view)



Semina Life centre bracket: rafter mounting with rafter bracket (rear view)

Semina Life Planning



Site measurements – determining the projection and head clearance height

- Find the projection by looking in the “Projection” table for the terrace depth.
- Using the projection from the table and the required angle of inclination, consult the “head clearance height” table for the head clearance height. This head clearance height refers to an installation height of 300 cm.
- Add/subtract the difference between 300 cm and the actual installation height to/from the head clearance height in the table.

Determining the projection

Angle of pitch	Terrace depth in cm					
	150	200	250	300	350	400
5°	151	201	251	301	351	400
15°	155	207	259	311	362	400
25°	166	221	276	331	386	400

Projection in cm (rounded figures)

This table can be used to find the awning projection for any given horizontal patio depth.

Determining the head clearance height

Angle of pitch	Projection in cm					
	150	200	250	300	350	400
5°	276	272	267	263	258	254
15°	250	237	224	211	198	185
25°	226	204	183	162	141	120

Head clearance height in cm (rounded figures)

This table is used to find the head clearance heights for various projections when the angle of inclination is 5°, 15° or 25°.

This table is based on the example of an installation height of 300 cm (upper edge of awning).

Wall bracket

Sizes and bracket recommendations



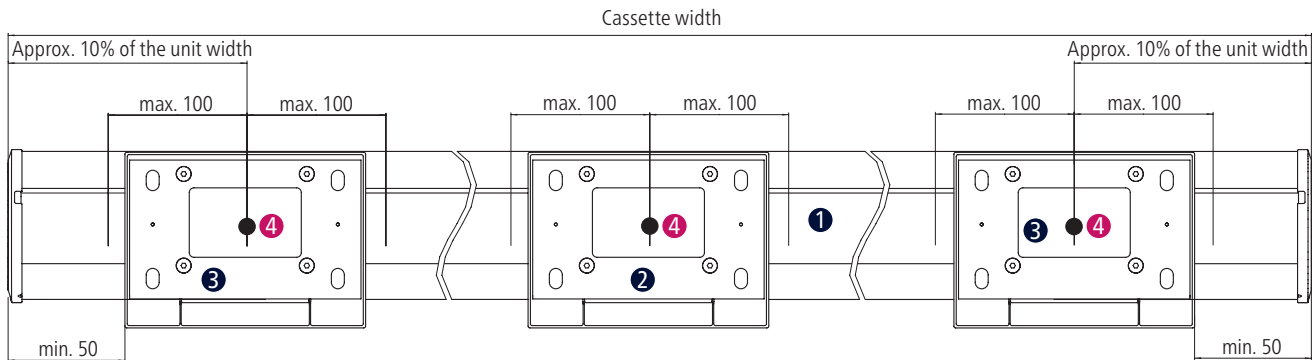
Width in cm	Number of arms	Projection in cm (irregular figures possible)					
		150	200	250	300	350	400
187 – 200	2	●					
201 – 250	2	●	●				
251 – 300	2	●	●	●			
301 – 350	2	●	●	●	●		
351 – 400	2	●	●	●	●	●	
401 – 450	2	●	●	●	●	●	●
451 – 500	2	●	●	●	●	●	●
501 – 550	2	●	●	●	●	●	●
551 – 600	2	▲	▲	▲	▲	▲	▲
601 – 650	2	▲	▲	▲	▲	▲	▲

Wall mounting on C20/25 concrete

with up to 200-mm facing, wind resistance class 2 and a permissible centic tensile load of 5.71 kN for anchor bolts

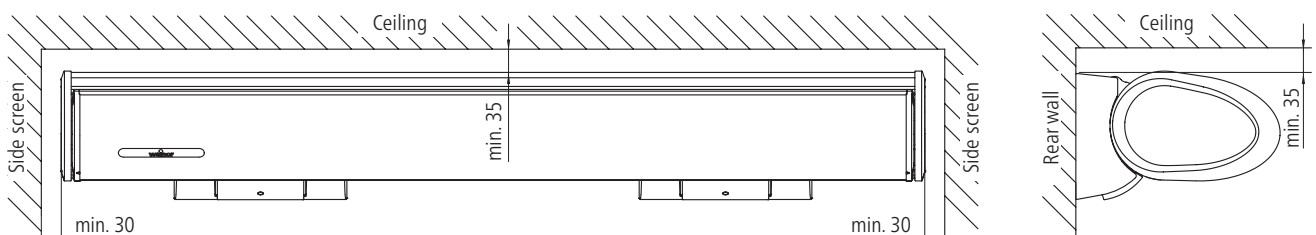
- 2 Semina Life standard wall brackets 250 mm
- 2 Semina Life wall brackets 430 mm
- ▲ 2 Semina Life standard wall brackets 250 mm and 1 standard centre bracket 250 mm
- ▲ 2 Semina Life wall brackets 430 mm and 1 standard centre bracket 250 mm

Position of wall brackets and Semina Life cassette



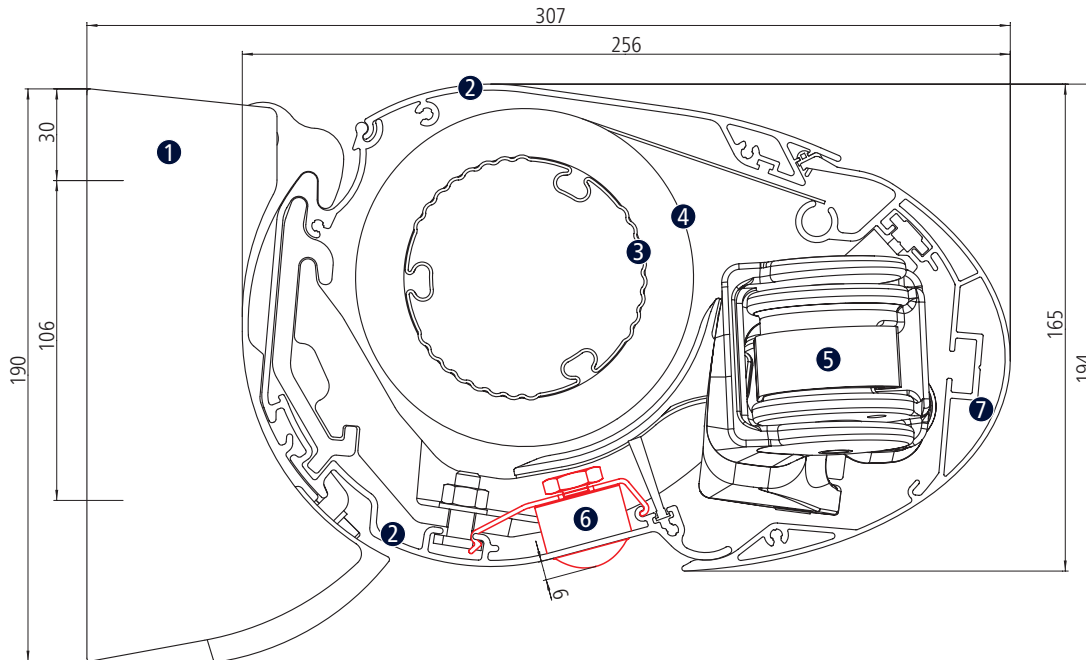
- ① Semina Life cassette
- ② Centre bracket
- ③ Wall bracket
- ④ Marking points

Minimum spacing distances for installation in the niche (wall mounting)



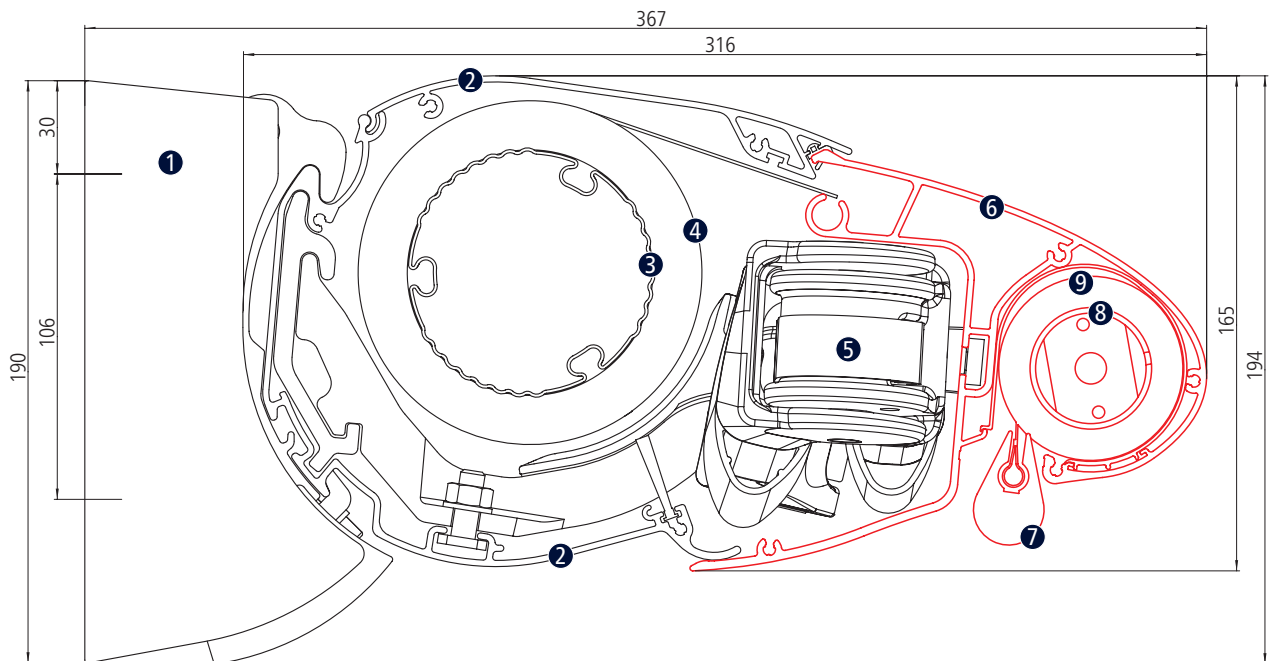
Cross-sections

Semina Life LED



- 1 Wall bracket
- 2 Cassette
- 3 Fabric roller bearing
- 4 Fabric rolls
- 5 Spring-tensioned arm
- 6 LED spotlight
- 7 Semina Life drop profile

Semina Life Valance Plus (cross-section)



- 1 Wall bracket
- 2 Cassette
- 3 Fabric roller bearing
- 4 Fabric rolls
- 5 Spring-tensioned arm
- 6 Valance Plus
- 7 Valance Plus bottom rail
- 8 Valance Plus fabric roller bearing
- 9 Valance Plus fabric rolls

Figures are in mm

Size limits (width) Semina Life for 250 wall bracket without Agido

Width in cm	Projection in cm												
	150	160	170	180	190	200	210	220	230	240	250	260	
200													
201–210		202	–	–	–	–							
211–220			212	–	–	–							
221–230				222	–	–							
231–240					232	–							
241–250						242							
251–260							252	–	–	–	–		
261–270								262	–	–	–		
271–280									272	–	–		
281–290										282	–		
291–300											292		
301–310													302
311–320													
321–330													
331–340													
341–350													
351–360													
361–370													
371–380													
381–390													
391–400													
401–410													
411–420													
421–430													
431–449													
441–450													
451–649													
650													

- Producible
- Limiting size (width)
- Not producible
- Not producible

Deduction dimension X* = 42 cm
 * Min. width = projection + deduction dimension X

Explanation

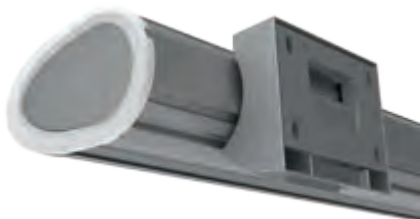
Producible: 202 cm width of awning and 160 cm projection
 Not producible: 201 cm width of awning and 160 cm projection

- The limiting widths shown refer to Semina Life with 250 brackets without BiConnect Agido.
- When using the BiConnect Agido the required width is increased by 14 cm.
- When using 430 brackets the required width increases by 18 cm.
- The combination of BiConnect Agido and 430 brackets increases the required width of awning by 32 cm.
- Dimension limits do not apply to Semina Life LED. Our employees at the Customer Center will be happy to check these on request.

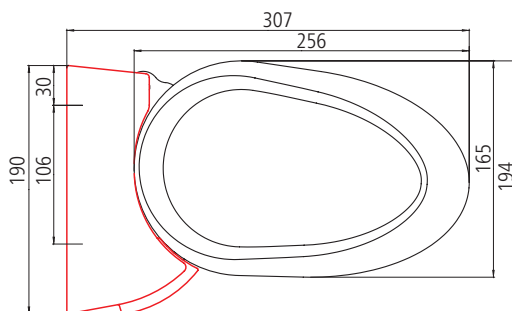
Caution! With awnings with dimensions within the limiting size range it is not permissible to slide the brackets by the standard ± 100 mm. The permissible sliding range is indicated on the confirmation of the order.

Semina Life Installation

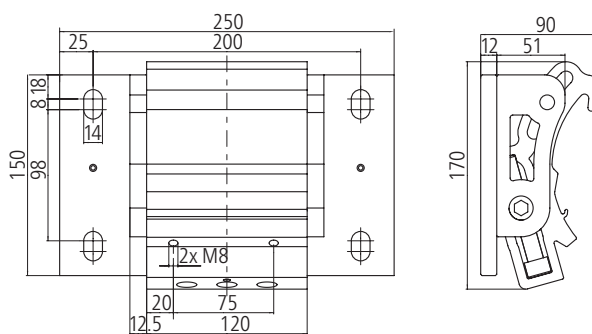
Wall mounting – brackets



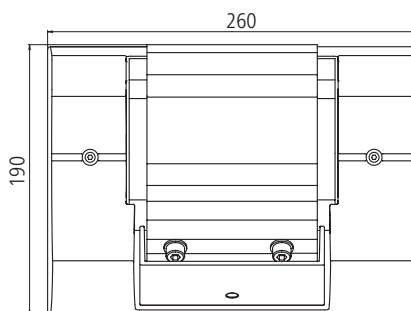
Wall bracket (with cover)



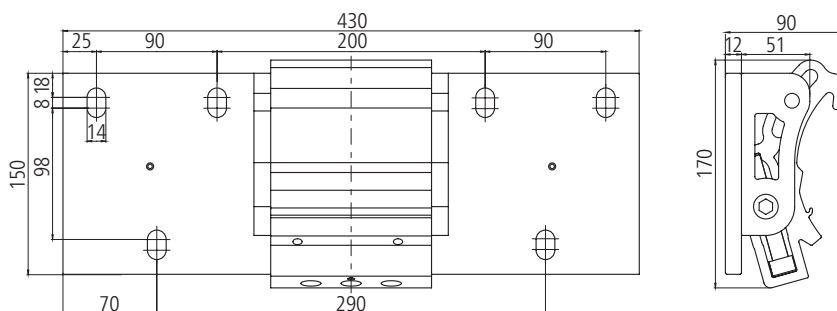
Wall bracket (without cover) 250 mm



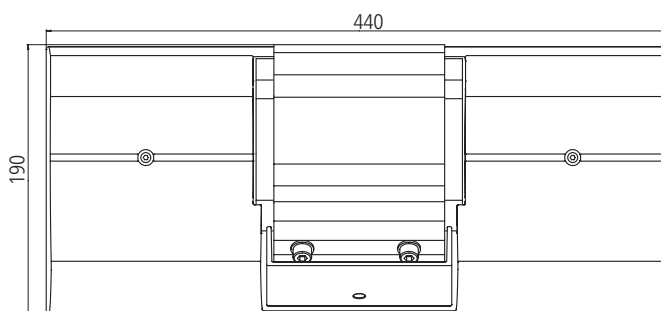
Wall bracket (with cover)



Wall bracket (without cover) 430 mm



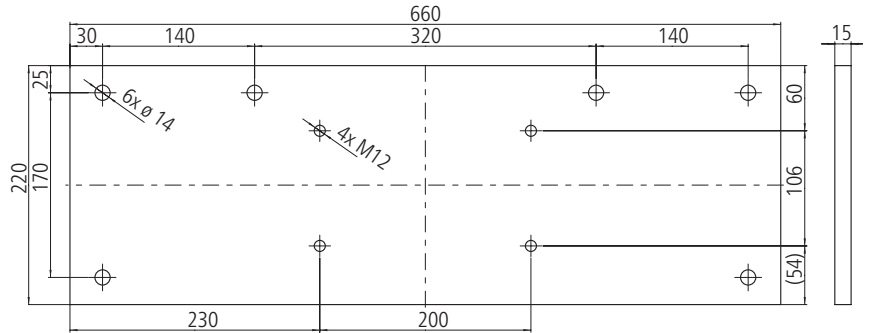
Wall bracket (with cover)



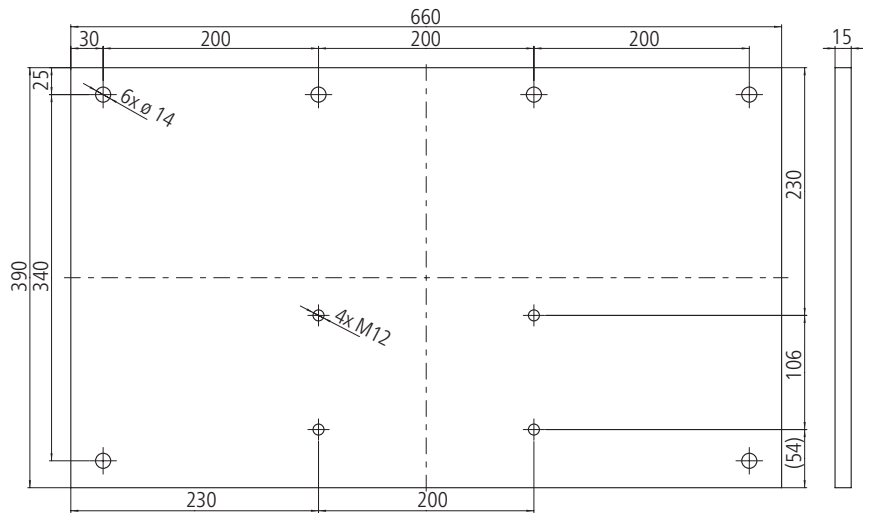
Wall mounting – mounting plates



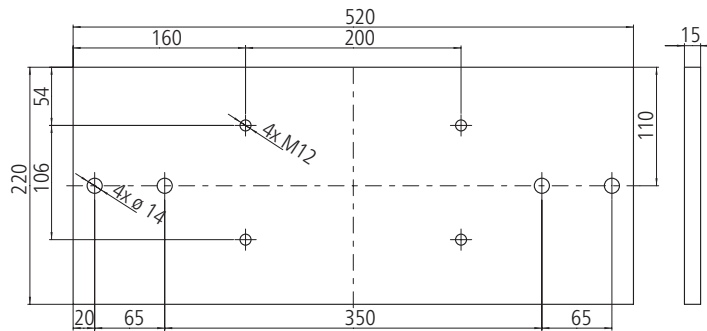
Mounting plate for wall mounting
660 x 220 x 15 mm



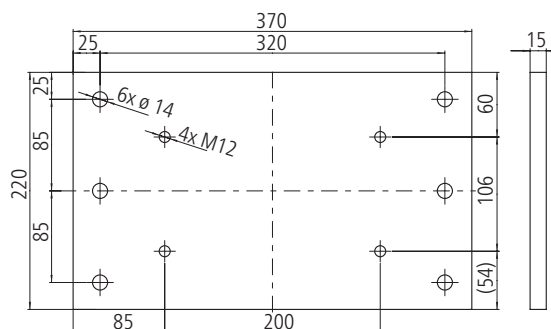
Mounting plate for wall mounting
660 x 390 x 15 mm



Roof front plate for wall mounting
520 x 220 x 15 mm



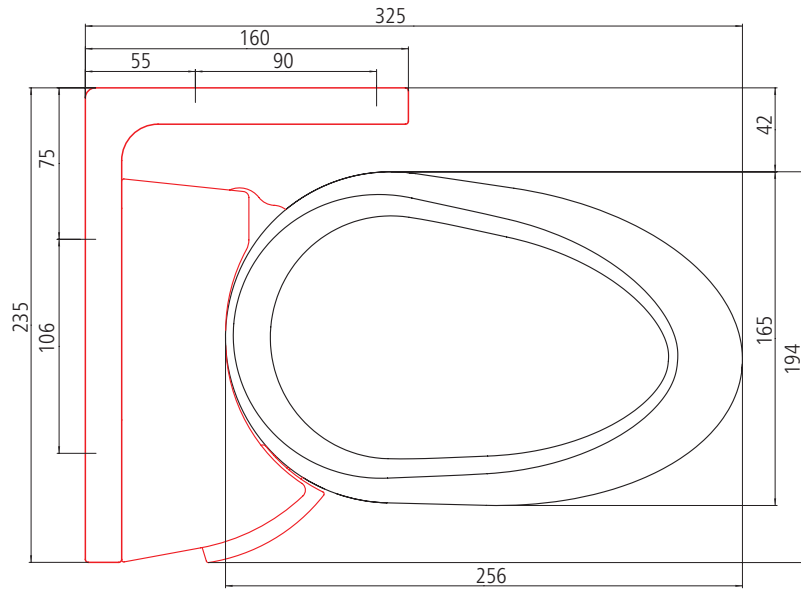
Mounting plate for centre bracket
370 x 220 x 15 mm



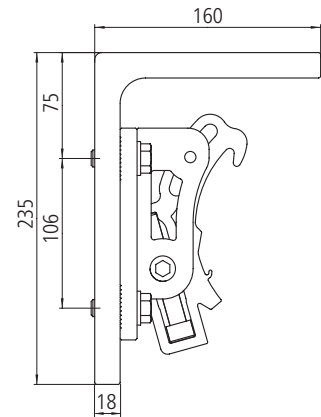
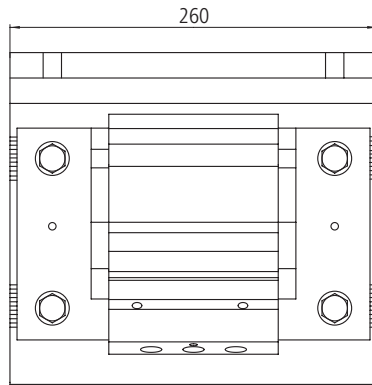
Ceiling mounting



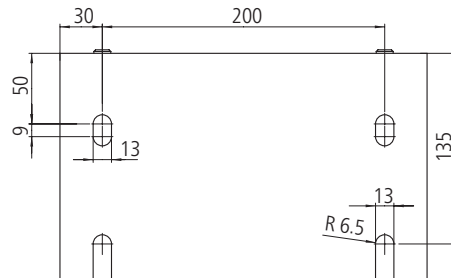
Ceiling bracket



Ceiling bracket (without cover)



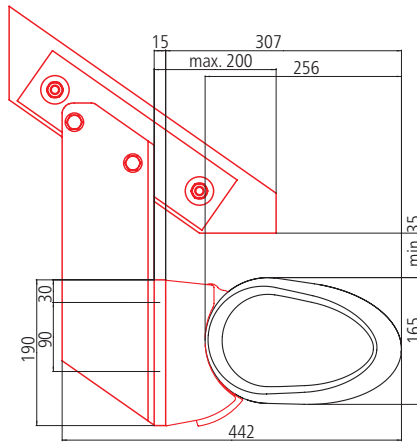
Ceiling bracket (with cover)



Rafter mounting



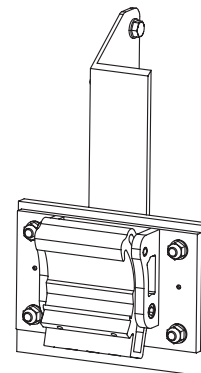
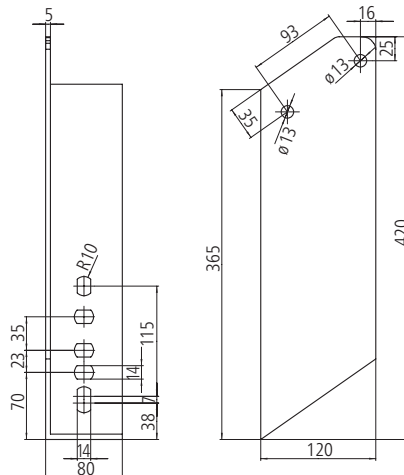
Rafter bracket



Rafter bracket with mounting plate and wall bracket with cover



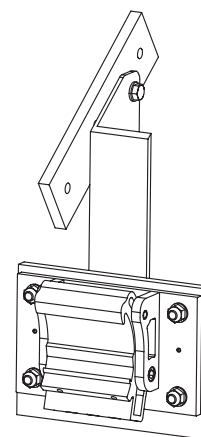
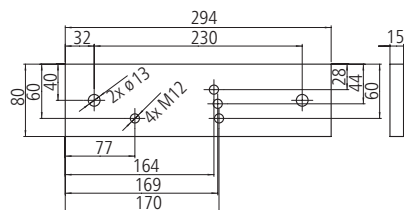
Rafter bracket (right)



Rafter bracket without mounting plate for rafters (right).



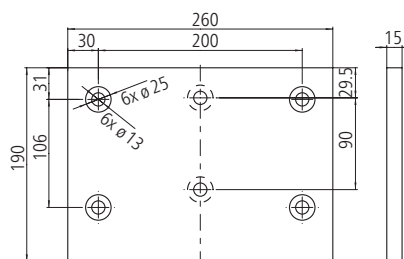
Mounting plate for rafter bracket
294 x 80 x 15 mm



Rafter bracket with mounting plate for rafters (right). weinor recommends using mounting plates for rafter brackets.



Adaptor plate for rafter bracket
260 x 190 x 15 mm






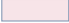



Extraction forces

The extraction force is the force with which the weight of the awning and the wind load pull on each upper fixing. The tables indicate this force in N per upper fixing. It varies depending on the awning size and the wall bracket/mounting plate used.

Selecting the wall bracket and anchoring system:

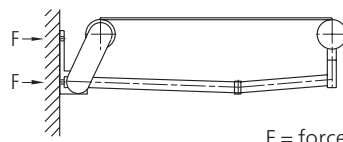
1. Consult relevant table for extraction force per fixing for selected awning size.
2. Select a wall bracket/mounting plate for which there is fixing material which can resist the indicated extraction force. Remember to take into account the spacing, the area which will be damaged if the fixing breaks out, the type of fixing material used and the mounting base.

See separate bracket overview for other bases.

-  1 standard wall bracket (250 mm) per awning arm, 1 centre bracket (250 mm) with width of 551 cm or more
Number of fixing materials: without a centre bracket 8* in total with a centre bracket 12* in total
-  1 standard wall bracket (430 mm) per awning arm, 1 centre bracket (250 mm) with width of 551 cm or more
Number of fixing materials: without a centre bracket 12* in total with a centre bracket 16* in total
-  Mounting plate (660 x 220 x 15 mm) incl. 1 standard wall bracket (250 mm) per awning arm 1 mounting plate for centre bracket incl. 1 centre bracket (250 mm) with width of 551 cm or more
Number of fixing materials: without a centre bracket 12* in total with a centre bracket 16* in total
-  Mounting plate (660 x 390 x 15 mm) incl. 1 standard wall bracket (250 mm) per awning arm 1 mounting plate for centre bracket incl. 1 centre bracket (250 mm) with width of 551 cm or more
Number of fixing materials: without a centre bracket 12* in total with a centre bracket 16* in total
-  1 roof front mounting plate incl. 1 standard wall bracket (250 mm) per awning arm, 1 mounting plate for centre bracket incl. 1 centre bracket (250 mm) with width of 551 cm or more
Number of fixing materials: without a centre bracket 8* in total with a centre bracket 10* in total

Wall mounting on C20/25 concrete with up to 200 mm of facing extraction force in N per upper fixing for wall bracket

Width in cm	Projection in cm					
	150	200	250	300	350	400
200	564					
	282					
	178					
	89					
	378					
250	668	998				
	334	499				
	211	314				
	105	157				
	448	668				
300	771	1153	1637			
	386	576	819			
	243	363	515			
	122	181	257			
	517	771	1094			
350	875	1308	1853	2512		
	438	654	926	1256		
	276	412	582	789		
	138	206	291	394		
	587	875	1238	1676		
400	979	1463	2068	2797	3556	
	490	731	1034	1398	1778	
	309	461	650	878	1116	
	154	230	325	439	558	
	656	979	1382	1866	2371	
450	1083	1618	2283	3082	3920	5584
	541	809	1142	1541	1960	2792
	342	509	718	968	1230	1751
	171	255	359	484	615	876
	726	1083	1526	2057	2614	3722
500	1187	1773	2499	3367	4283	6108
	593	887	1249	1683	2142	3054
	374	558	786	1057	1344	1916
	187	279	393	529	672	958
	796	1186	1669	2247	2856	4070
550	1291	1928	2714	3652	4647	6631
	645	964	1357	1826	2324	3316
	407	607	853	1147	1458	2080
	204	304	427	573	729	1040
	865	1290	1813	2437	3099	4419
600	1394	2083	2930	3937	5011	7155
	697	1042	1465	1968	2505	3578
	440	656	921	1236	1572	2244
	220	328	461	618	786	1122
	935	1394	1957	2627	3341	4768
650	1498	2238	3145	4221	5374	7679
	749	1119	1573	2111	2687	3839
	473	705	989	1326	1686	2408
	236	352	494	663	843	1204
	1005	1498	2101	2817	3583	5117



* number of fixings required on site

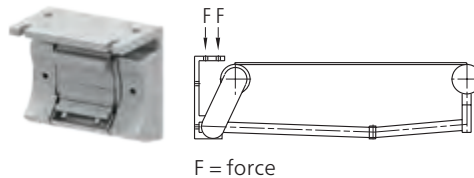
Extraction forces

- 1 ceiling angle incl.
- 1 standard wall bracket (250 mm) per awning arm, 1 ceiling angle incl. 1 centre bracket with width of 551 cm or more
- Number of fixing materials: without a centre bracket 8* in total with a centre bracket 12* in total

Ceiling installation (on C20/25 concrete)

Extraction forces in N for ceiling mounting

Width in cm	Projection in cm					
	150	200	250	300	350	400
200	506					
250	590	850				
300	674	973	1357			
350	757	1097	1529	2055		
400	841	1221	1701	2283	2897	
450	924	1345	1873	2511	3189	4513
500	1008	1469	2045	2739	3480	4932
550	1091	1593	2217	2967	3772	5350
600	1199	1742	2414	3219	4088	5794
650	1283	1865	2586	3447	4379	6212

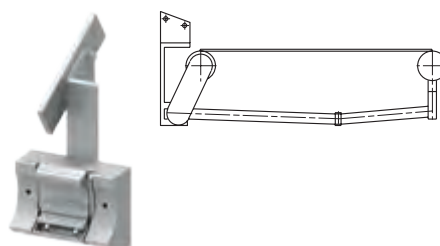


Rafter mounting

Shear forces in N for rafter mounting

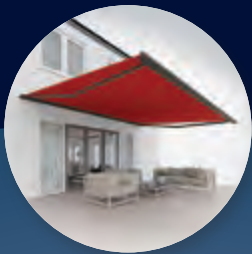
- 1 rafter bracket incl. 1 standard wall bracket (250 mm) per awning, one left, one right for each, 1 rafter bracket incl. 1 centre bracket (250 mm) with width of 551 cm or more
- 1 rafter bracket incl. 1 mounting plate incl. 1 standard wall bracket (250 mm) per awning, one left, one right for each, 1 rafter bracket with 1 mounting plate incl. 1 centre bracket (250 mm) with width of 551 cm or more

Width in cm	Projection in cm					
	150	200	250	300	350	400
200	1417					
	693					
250	1660	2394				
	802	1099				
300	1903	2752	3832			
	911	1254	1691			
350	2146	3109	4324	5798		
	1020	1410	1901	2497		
400	2389	3466	4816	6446	8152	
	1130	1565	2111	2770	3460	
450	2632	3824	5309	7094	8976	12694
	1239	1721	2321	3043	3804	5307
500	2876	4181	5801	7742	9801	13876
	1348	1876	2531	3316	4148	5796
550	3119	4538	6293	8390	10625	15058
	1458	2031	2741	3589	4493	6285
600	3404	4937	6827	9079	11491	16281
	1609	2229	2993	3903	4879	6816
650	3647	5294	7319	9727	12316	17463
	1718	23784	3203	4176	5223	7304





Premium quality
made in Germany



Awning



Awning
with Valance Plus
and Tempura



Awning
with Valance Plus
and Paravento



Pergola awning
Plaza Viva
and Paravento



Pergola awning
weinor PergoTex II
and Tempura



Pergola awning
weinor PergoTex II
with VertiTex II



Terrazza
patio roof
with Sottezza II
sun protection



Terrazza Pure patio roof
with lateral SUPER LITE
fixed glazing



Glasoase® with
conservatory awning
WGM Top and full glass
sliding door w17 easy

AWNINGS

PERGOLA AWNINGS

CUSTOMISED, SYSTEMISED SOLUTIONS

PATIO ROOFS AND GLASOASE®

