



Open awning

Livona

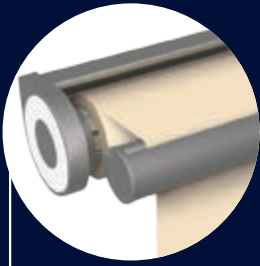
Livona with/without roof | LED | Valance Plus

Livona MiniMax with/without roof

The **Livona** open awning weinor shows more fabric than ever. The basis of the minimalistic, pure design is intelligent technology: an almost invisible carrier bar and the particularly slim front profile. The weinor Livona up to a width of 6 metres requires only two brackets for a floating appearance.

On the **Livona LED** version, the side light rings and LED Slim light bar emit a fascinating, warm white LED light. The weinor **Livona** is available with or without roof and in a wide range of options.

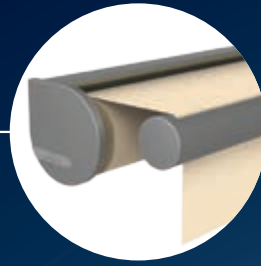
Versions:



Livona LED without roof



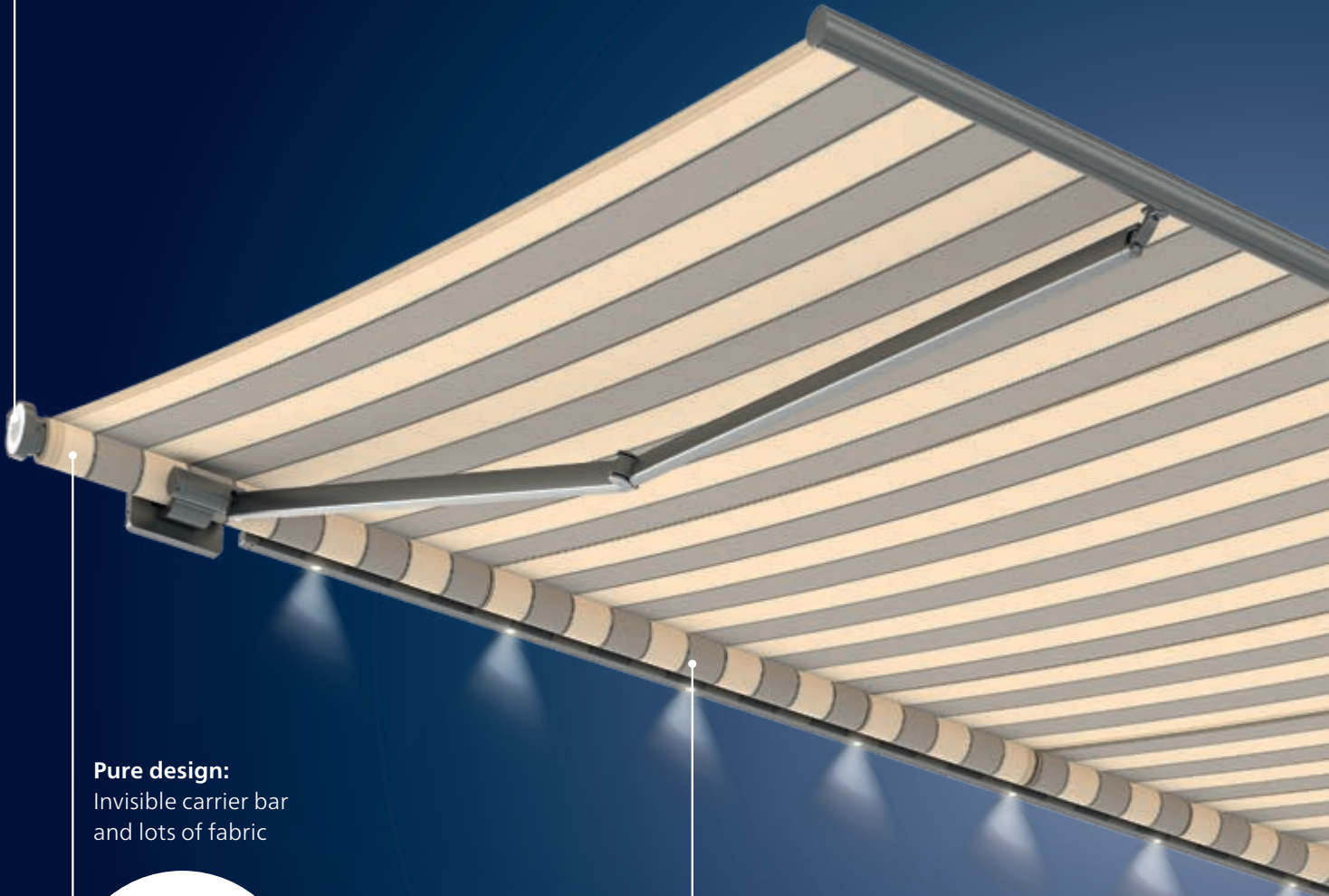
Livona LED with roof



Livona without roof



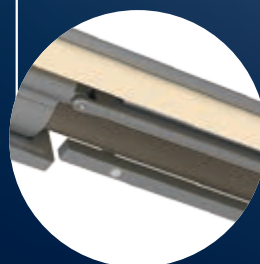
Livona with roof



Pure design:
Invisible carrier bar
and lots of fabric



LED light package
LED on the end caps and
Slim LED light bar

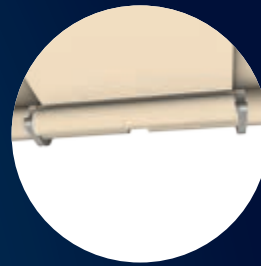


Livona Highlights

Multi panel systems:
With roller supports



or jockey cover



Versions:

Valance Plus



MiniMax

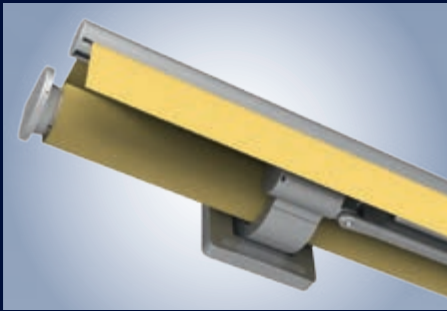


weinor LongLife Arm:

Very durable
and low-noise



Livona Benefits



Pure awning – invisible carrier bar and slim front profile

Technically and optically, the weinor Livona is "state-of-the-art" awning design. Your steel carrier bar tucked away virtually out of sight behind the fabric roller bearing. For a free view of a lot of fabric.

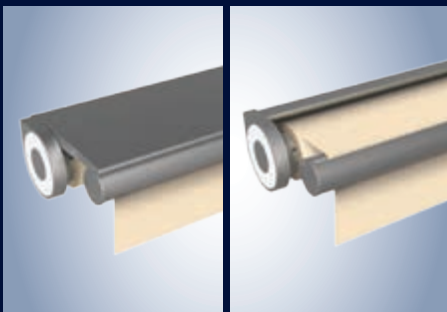
- Ultra-slim and stable projection profile
- Only 2 brackets are required (up to a width of 600 cm)
- For larger widths and projections
- Elegant aluminium side caps
- Standard Valance straight, height 12 cm



Warm white LED light – for atmospheric lighting

weinor Livona LED offers an innovative light package with warm white LED lighting. This always includes a combination of 2 LED light rings and the ultra-slim LED Slim light bar.

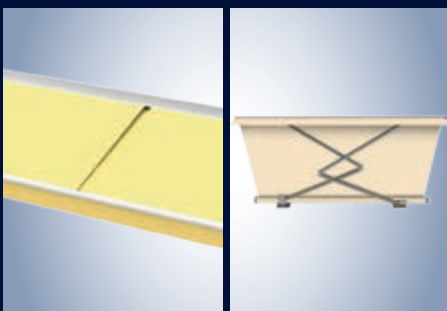
- 2 atmospheric LED light rings on the side cover plates
- LED Slim light bar available integrated in the awning design
- With continuous BiConnect dimmability



Weinor Livona versions – for any type of building and any need

With a large range of versions, the weinor Livona meets every requirement.

- Installation on walls, ceilings and rafters is possible
- For open buildings situations: elegant aluminium roof
- For protected building situations: design without roof
- For privacy and glare protection: Vertical sun protection Valance Plus



weinor Livona – for wide patios

- 2-piece systems up to 1,200 cm: with jockey cover or continuous fabric (roller support)
- For more projection than width: MiniMax (up to 400 cm projection)

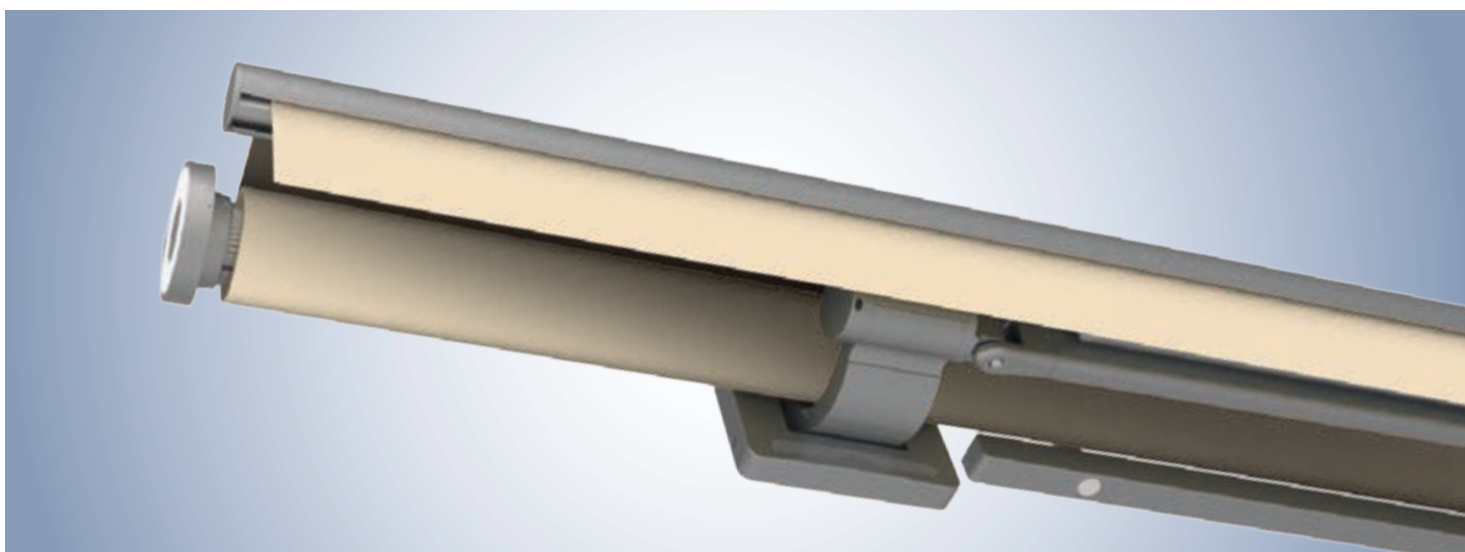
Livona Technology

01

Versions of the Livona	Livona with/without roof	Livona LED with/without roof	Livona Minimax without roof/ with roof
Technology			
Max. width, 1-section/2-section with jockey cover or sliding support	700 cm/1,200 cm	600 cm	500 cm
Max. projection	400 cm	400 cm	400 cm (from a width of just 235 cm)
Standard Valance straight, height	12 cm	12 cm	25 cm (with filling finish band)
Side dimensions (w x h), incl. bracket	with roof: 282 x 190 mm without roof: 275 x 190 mm		with roof: 282 x 283 mm without roof: 275 x 283 mm
Coupled systems	○	—	—
Gear drive	○	○	○
Motor drive	● as standard	● as standard	● as standard
Angle of pitch on awning	5° to 20°	5° to 20°	5° to 15°
Installation alternatives	can be installed on walls, ceilings and rafters		
Light package LED: 2 light rings LED, light bar LED Slim	—	●	—
Patented weinor Opti-Flow-System®	● as standard	● as standard	● as standard
OptiNut roller tube	● as standard	● as standard	● as standard
LongLife arm	● as standard	● as standard	● as standard
Valance Plus option			
Max. width	500 cm/600 cm	500 cm/600 cm	—
Max. projection	350 cm/300 cm	350 cm/300 cm	—
Side dimensions (w x h)	313 x 190 mm		—
Gear drive	○	○	—
Motor drive (only possible if primarily motor-driven)	●	●	—
Angle of pitch on awning	5° to 20°	5° to 20°	—
Valance Plus projection (h)	100 cm, 150 cm, 210 cm		—
Accessories			
Heating system Tempura	○	○	○
BiSens Agido-3V product protection sensor	○	○	○
Controls			
Radio control	○	○	○
Weather sensors			
Sun/wind sensor BiConnect BiSens SW-230 V	○	○	○
Sun/wind sensor solar powered BiConnect BiSens SW-Solar	○	○	○
Sun/wind/rain sensor BiConnect-BiSens-SWR-230V	○	○	○
Quality			
Tested up to	wind resistance class 2 according to DIN 13561 (wind strength 5 on the Beaufort scale)		

● standard ○ optional — unavailable

Livona LED



Spectacular lighting effects with the LED light package: 2 LED light rings and LED Slim light bar

The LED Slim light bar, designed specially for the weinor Livona is positioned inconspicuously behind the fabric roller bearing. They are flush integrated between the brackets.

- Light bar LED Slim always in combination with 2 LED light rings on the headplates
- The LED Slim light bar is always positioned between the brackets
- LED Slim light bar integrated in the awning design (up to 600 cm width available)
- Lighting remains on even when awning is retracted
- With continuous BiConnect dimmability
- 30,000 hours of lighting with minimal energy consumption

Integrated LED lighting

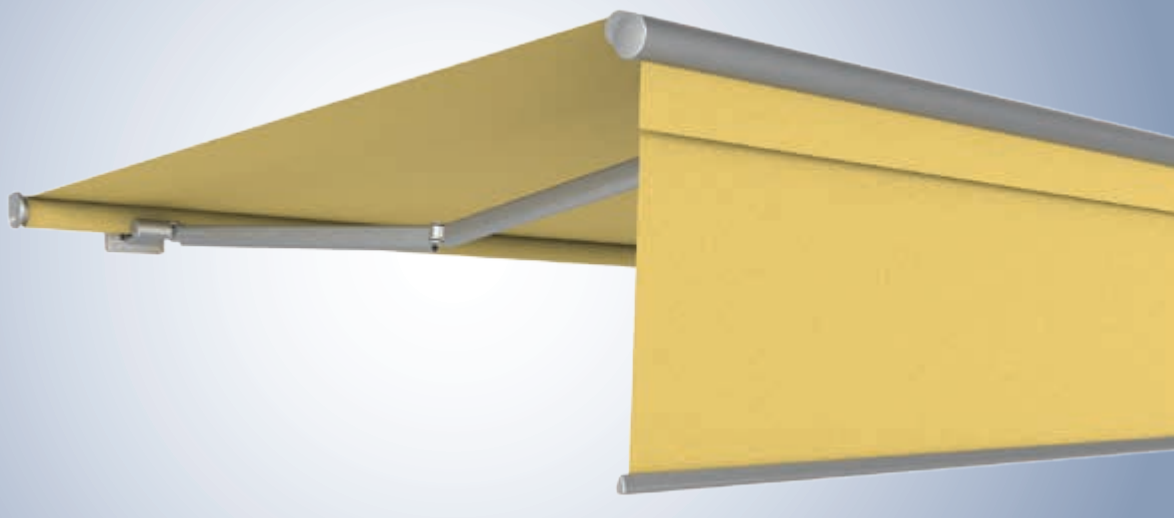
Awning width in cm	Number of separate LED spotlights	Awning width in cm	Number of separate LED spotlights
203 – 250	2 – 3	401 – 450	5 – 7
251 – 300	3 – 4	451 – 500	6 – 8
301 – 350	3 – 5	501 – 550	7 – 8
351 – 400	4 – 6	551 – 600	8 – 9



LED Slim light bar

Dimensions of LED Slim light bar:
Awning width up to 500 cm: unit dimension minus 84 cm (2 x 42 cm).
Width from 501 cm to 600 cm: Unit dimensions minus 120 cm (2 x 60 cm) (this also applies to the use of the 395-cm wall bracket).

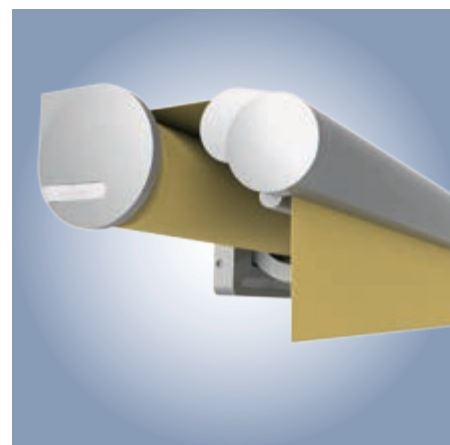
Livona Valance Plus



More privacy thanks to vertical privacy protection and sun screen

The motorised or crank-operated vertical awning fits elegantly into the awning's front profile.

- Glare protection and privacy shield up to a maximum valance height of 210 cm
- Extends to any length
- Awning can be set to any angle from 5° to 20°
- Valance Plus cannot be retrofitted
- Valance Plus with motor is only possible if the awning is motor-driven



Closed

Maximum awning size for Valance Plus

Motorised main drive				Gear main drive			
Width	600 cm	Projection	350 cm	Width	500 cm	Projection	350 cm
				Width	600 cm	Projection	300 cm

Available fabrics for the Valance Plus

Unit width Valance length	Soltis® 86, 92	Soltis® 86, 92	Acrylic	Perluca		Polyester		StarScreen		
	unicolour 177 cm	unicolour 267 cm	stripes 120 cm	unicolour 120 cm	unicolour 240 cm	unicolour 120 cm	unicolour 240 cm	stripes 120 cm	unicolour 120 cm	unicolour
100 cm	N	N	L	N	N	N/L	N	L	N	N
150 cm	N	N	–	Q	N	Q	N	–	Q	N
210 cm	Q	N	–	Q	N	Q	N	–	Q	N

N Seamless: seamless fabric; structure of fabric runs crosswise to structure of awning fabric

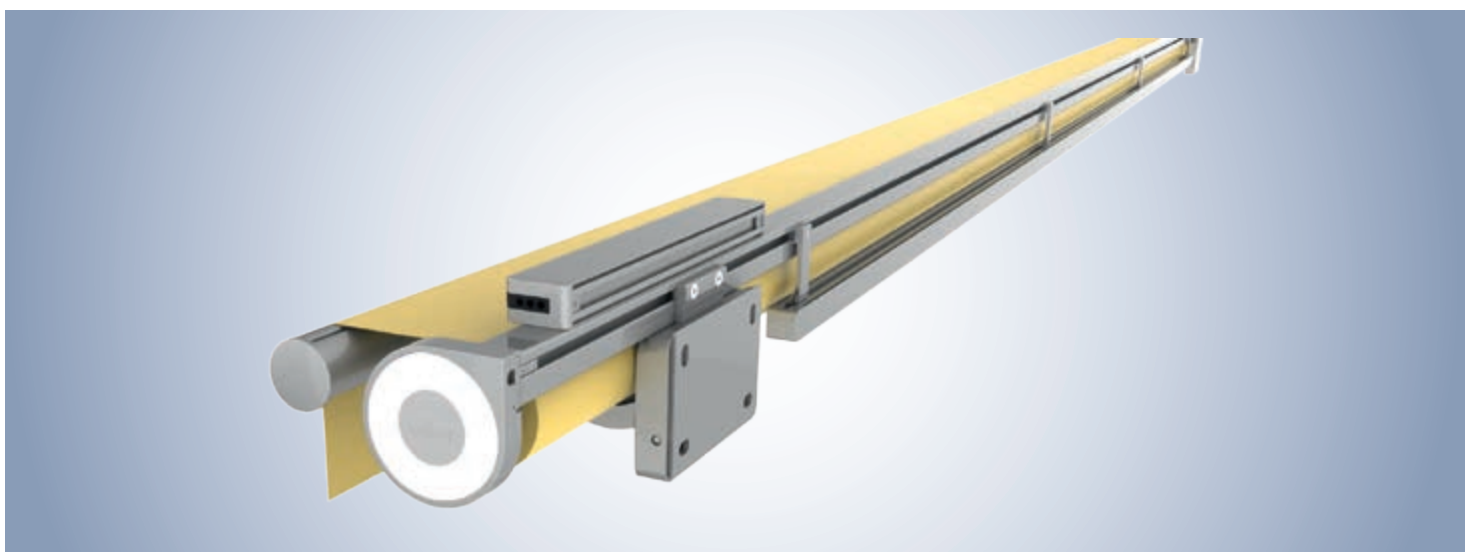
Q Transverse seam: fabric with transverse seam; either in top or bottom third as desired; structure of fabric runs diagonally to structure of awning fabric

L Longitudinal seam: structure of fabric runs longitudinally to structure of awning fabric

– Not available

Please note: On the gear-driven Valance Plus, it is possible that the Valance Plus bottom rail will close unevenly.

Livona Controls



Receiver box Slim

- Is positioned inconspicuously on the carrier bar or on the roof of the awning

In case of wall or rafter mounting with the LED Slim locking bar:

10 cm (from the outer edge of the awning to the outer edge of the receiver box)

For ceiling mounting with LED Slim bar with LED Slim locking bar:

The receiver box is always indented as far as the light bar. In this connection, the receiver box is provided with a cover plate.

- Dimensions of the receiver box: W/H/D: 47 cm/3.8 cm/6 cm

weinor BiConnect radio technology

Product	Electronics	BiConnect control	Remote receiver	Transmitter
Livona	Livona drive	<ul style="list-style-type: none"> • BiConnect remote-controlled motor integrated into awning 	Elero SunTop-868 remote-controlled motor	<ul style="list-style-type: none"> • BiEasy 1M/5M/15M/15M Go! hand transmitter • App • 1MW-3V wall transmitter
Livona LED	Livona drive and LED lighting	<ul style="list-style-type: none"> • BiRec combi-receiver for main drive and LED lighting with integrated power supply pack integrated into Slim receiver box • Dimmable LED 	BiRec MLED	<ul style="list-style-type: none"> • BiEasy 5M/15M/15M Go! hand transmitter • App
Livona Valance Plus	Livona and Valance Plus drive	<ul style="list-style-type: none"> • BiConnect remote-controlled motor for awning drive • BiConnect remote-controlled motor for Valance Plus drive integrated into awning • No retraction protection in windy conditions • Gradual soft stop 	Elero SunTop-868 remote-controlled motor	<ul style="list-style-type: none"> • BiEasy 5M/15M/15M Go! hand transmitter • App
Livona Valance Plus	Livona and Valance Plus drive	<ul style="list-style-type: none"> • BiRec combi-receiver for main drive and LED lighting with integrated power supply pack integrated into Slim receiver box • Table clearing protection • Gradual soft stop 	BiRec MVLED	<ul style="list-style-type: none"> • BiEasy 5M/15M/15M Go! hand transmitter • App
Livona LED Valance Plus	Livona and Valance Plus drive and LED lighting	<ul style="list-style-type: none"> • BiRec combi-receiver for main drive, Valance Plus drive and LED lighting with integrated power supply pack integrated into Slim receiver box • Dimmable LED • Table clearing protection • Gradual soft stop 	BiRec MVLED	<ul style="list-style-type: none"> • BiEasy 5M/15M/15M Go! hand transmitter • App
Accessories (optional)	Tempura/Tempura Quadra heating system	<ul style="list-style-type: none"> • Dimmable, additional receiver required • Installation of the receiver in the design bar provided for this purpose or the Tempura Quadra box 	BiRec HD	<ul style="list-style-type: none"> • BiEasy 5M/15M/15M Go! hand transmitter • App

Requires: awning with BiConnect remote control and sensors require a BiEasy 1M, 5M, 15M or 15M Go!

Somfy RTS radio technology

Product	Electronics	Somfy RTS control	Remote receiver	Transmitter
Livona	Livona drive	<ul style="list-style-type: none"> Somfy RTS remote-controlled motor integrated into awning 	Somfy RTS remote-controlled motor	<ul style="list-style-type: none"> Telis 1 RTS Pure/Telis 1 Soliris RTS Pure/Telis 4 RTS Pure/Telis 4 Soliris RTS Pure hand transmitter Smoove 1 wall transmitter
Livona LED	Livona drive and LED lighting	<ul style="list-style-type: none"> Somfy RTS remote-controlled motor integrated into awning Additional Somfy receiver for the LED spot-lights (with downstream power supply pack) integrated into the Slim receiver box LED not dimmable 	Somfy RTS remote-controlled motor and Lighting Slim Receiver RTS	<ul style="list-style-type: none"> Telis 4 RTS Pure/Telis 4 Soliris RTS Pure hand transmitter
Livona Valance Plus	Livona and Valance Plus drive	<ul style="list-style-type: none"> Somfy RTS remote-controlled motor integrated into awning Additional Somfy receiver for Valance Plus drive integrated into the Slim receiver box No retraction protection in windy conditions 	Somfy RTS remote-controlled motor and Universal Receiver RTS	<ul style="list-style-type: none"> Telis 4 RTS Pure/Telis 4 Soliris RTS Pure hand transmitter
Livona LED Valance Plus	Livona and Valance Plus drive and LED lighting	<ul style="list-style-type: none"> Additional Somfy receiver for Valance Plus drive and LED lighting (with downstream power supply pack) integrated into Slim receiver box LED not dimmable No retraction protection in windy conditions 	Somfy RTS remote-controlled motor, Universal Receiver RTS and Lighting Slim Receiver RTS	<ul style="list-style-type: none"> Telis 4 RTS Pure/Telis 4 Soliris RTS Pure hand transmitter
Accessories (optional)	Tempura/Tempura Quadra heating system	<ul style="list-style-type: none"> Not dimmable, additional receiver required Installation of the receiver in the design bar provided for this purpose or the Tempura Quadra box 	Heating Slim Receiver RTS Plug	<ul style="list-style-type: none"> Telis 4 RTS Pure/Telis 4 Soliris RTS Pure hand transmitter

Somfy io-homecontrol® radio technology

Product	Electronics	Somfy io-homecontrol control	Remote receiver	Transmitter
Livona	Livona drive	<ul style="list-style-type: none"> Somfy io remote-controlled motor integrated into awning 	Somfy io remote-controlled motor	<ul style="list-style-type: none"> Situo 1 io Pure/Situo 5 io Pure/Easy Sun io Pure Shine hand transmitter Smoove 1 io Pure Shine wall transmitter
Livona LED	Livona drive and LED lighting	<ul style="list-style-type: none"> Somfy io remote-controlled motor integrated into awning Additional Somfy receiver for the LED lighting (with downstream power supply pack) integrated into cassette LED not dimmable 	Somfy io remote-controlled motor and Lighting Receiver io	<ul style="list-style-type: none"> Situo 5 io Pure/Easy Sun io Pure Shine hand transmitter
Livona Valance Plus	Livona and Valance Plus drive	<ul style="list-style-type: none"> Not possible with Somfy io control 	Somfy io remote-controlled motor and Lighting Receiver io	
Livona LED Valance Plus	Livona and Valance Plus drive and LED lighting	<ul style="list-style-type: none"> Not possible with Somfy io control 	Somfy io remote-controlled motor and Lighting Receiver io	
Accessories (optional)	Tempura/Tempura Quadra heating system	<ul style="list-style-type: none"> Not possible with Somfy io control 		

Hard wired with Somfy control

Product	Electronics	Hard wired Somfy control	Control
Livona	Livona drive	<ul style="list-style-type: none"> • Somfy control for awning drive 	e.g. Soliris Smooove Uno
Livona LED	Livona drive and LED lighting	<ul style="list-style-type: none"> • Somfy control for awning drive • Switch on site for the LED lighting • LED power supply pack integrated into the Slim receiver box • LED not dimmable 	e.g. Soliris Smooove Uno and suitable light switch (on site)
Livona Valance Plus	Livona and Valance Plus drive	<ul style="list-style-type: none"> • Somfy control for awning drive • Switch on site for the Valance Plus drive • No retraction protection in windy conditions 	e.g. Soliris Smooove Uno and suitable double rocker switch (on site)
Livona LED Valance Plus	Livona and Valance Plus drive and LED lighting	<ul style="list-style-type: none"> • Somfy control for awning drive • Switch on site for the Valance Plus drive • No retraction protection in windy conditions • Switch on site for the LED lighting • LED power supply pack integrated into the Slim receiver box • LED not dimmable 	e.g. Soliris Smooove Uno, and suitable double rocker switch and light switch (on site)
Accessories (optional)	Tempura/Tempura Quadra heating system	<ul style="list-style-type: none"> • Not dimmable 	Suitable switch (on site)

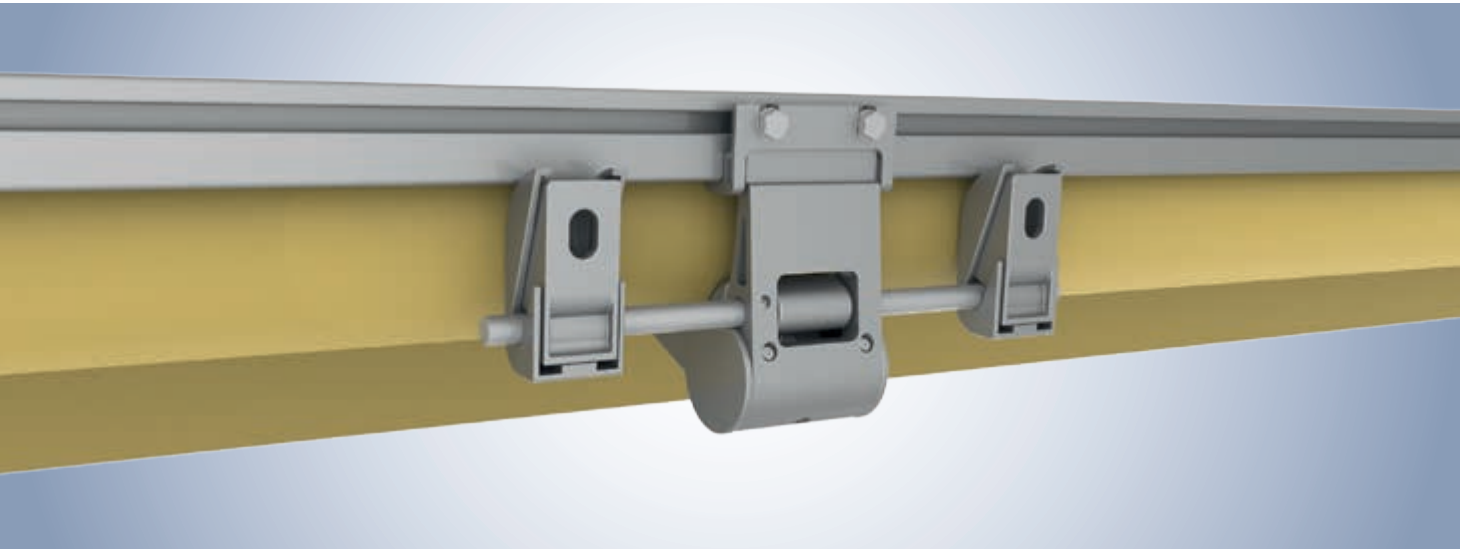
Hard wired (existing switch/power supply on site)

Product	Electronics	Hard wired control	Control
Livona	Livona drive	<ul style="list-style-type: none"> • Awning switch for the awning drive 	e.g. double rocker switch switch (on site)
Livona LED	Livona drive and LED lighting	<ul style="list-style-type: none"> • Awning switch for the awning drive • Switch on site for the LED lighting • LED power supply pack integrated into the Slim receiver box • LED not dimmable 	e.g. double rocker switch and suitable light switch (on site)
Livona Valance Plus	Livona and Valance Plus drive	<ul style="list-style-type: none"> • Awning switch for the awning drive • Switch on site for the Valance Plus drive • No retraction protection in windy conditions 	e.g. 2 double rocker switches (on site)
Livona LED Valance Plus	Livona and Valance Plus drive and LED lighting	<ul style="list-style-type: none"> • Awning switch for the awning drive • Switch on site for the Valance Plus drive • No retraction protection in windy conditions • Switch on site for the LED lighting • LED power supply pack integrated into the Slim receiver box • LED not dimmable 	e.g. 2 double rocker switches and suitable light switch (on site)
Accessories (optional)	Tempura/Tempura Quadra heating system	<ul style="list-style-type: none"> • Not dimmable 	Suitable switch (on site)

Note:

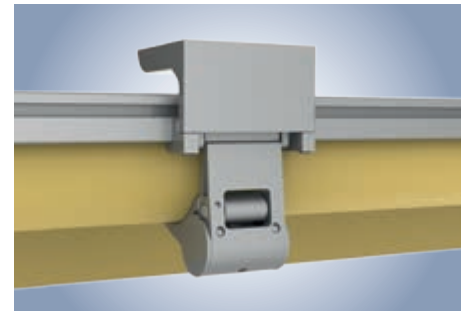
Please see the "Accessories" technical brochure for further details regarding the drive and control.

Livona Roller support

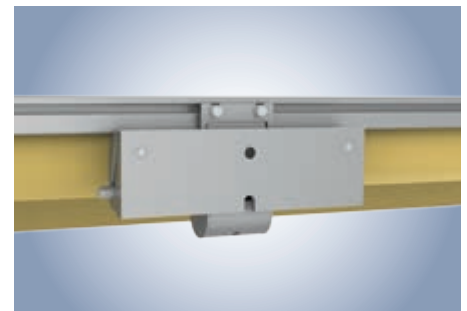


Livona roller support: wall mounting (view from rear)

- The new weinor roller support is only used on awnings that are at least 601 cm wide.
- The sliding support bearing is preassembled and can be adjusted to the size of the fabric roll accordingly.
- Support of load against the wall or roof by means of simple screw fastening.
- If you are planning rafter mounting, we need the position of the rafter to be able to determine the correct seating of the roller support.



Livona roller support: roof mounting (view from rear)

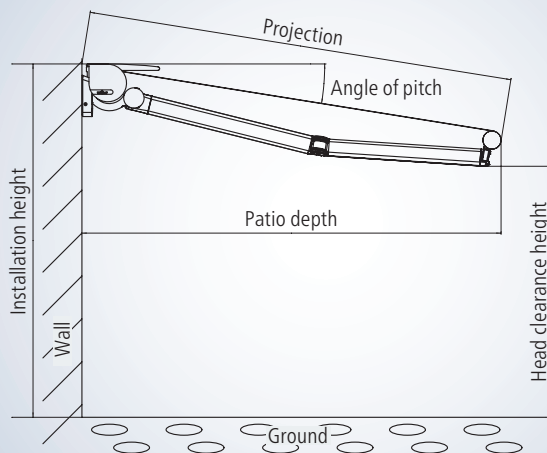


Livona roller support: rafter mounting with rafter bracket (view from rear)



Livona roller support: rafter mounting with rafter bracket (view from rear)

Livona Planning



Site measurements – determining the projection and head clearance height

- Find the projection by looking in the “Projection” table for the terrace depth.
- Using the projection from the table and the required angle of pitch, consult the “head clearance height” table for the head clearance height. This head clearance height refers to an installation height of 300 cm.
- Add/subtract the difference between 300 cm and the actual installation height to/from the head clearance height in the table.

Determining the projection

Angle of pitch	Terrace depth in cm					
	150	200	250	300	350	400
5°	151	201	251	301	351	400
15°	155	207	259	311	362	400
25°	166	221	276	331	386	400

Projection in cm (rounded figures)

This table can be used to find the awning projection for any given horizontal patio depth. Does not apply to MiniMax.

Determining the head clearance height

Angle of pitch	Projection in cm					
	150	200	250	300	350	400
5°	287	282	278	273	269	265
15°	261	248	235	222	209	196
25°	236	215	194	173	152	131

Head clearance height in cm (rounded figures)

This table is used to find the head clearance heights for various projections when the angle of pitch is 5°, 15° or 25°.

This table is based on the example of an installation height of 300 cm (upper edge of awning).

Wall bracket

Sizes and bracket recommendations



Width in cm	Number of arms	Projection in cm (irregular figures possible)					
		150	200	250	300	350	400
- 250	2	●					
251 - 300	2	●	●				
301 - 350	2	●	●	●			
351 - 400	2	●	●	●	●		
401 - 450	2	●	●	●	●	●	
451 - 500	2	●	●	●	●	●	▲
501 - 550	2	●	●	●	●	●	▲
551 - 600	2	●	●	●	●	▲	▲
601 - 650	2	●	●	●	●	▲	▲
651 - 700	3	●	●	●	●	▲	▲

Wall mounting on C20/25 concrete

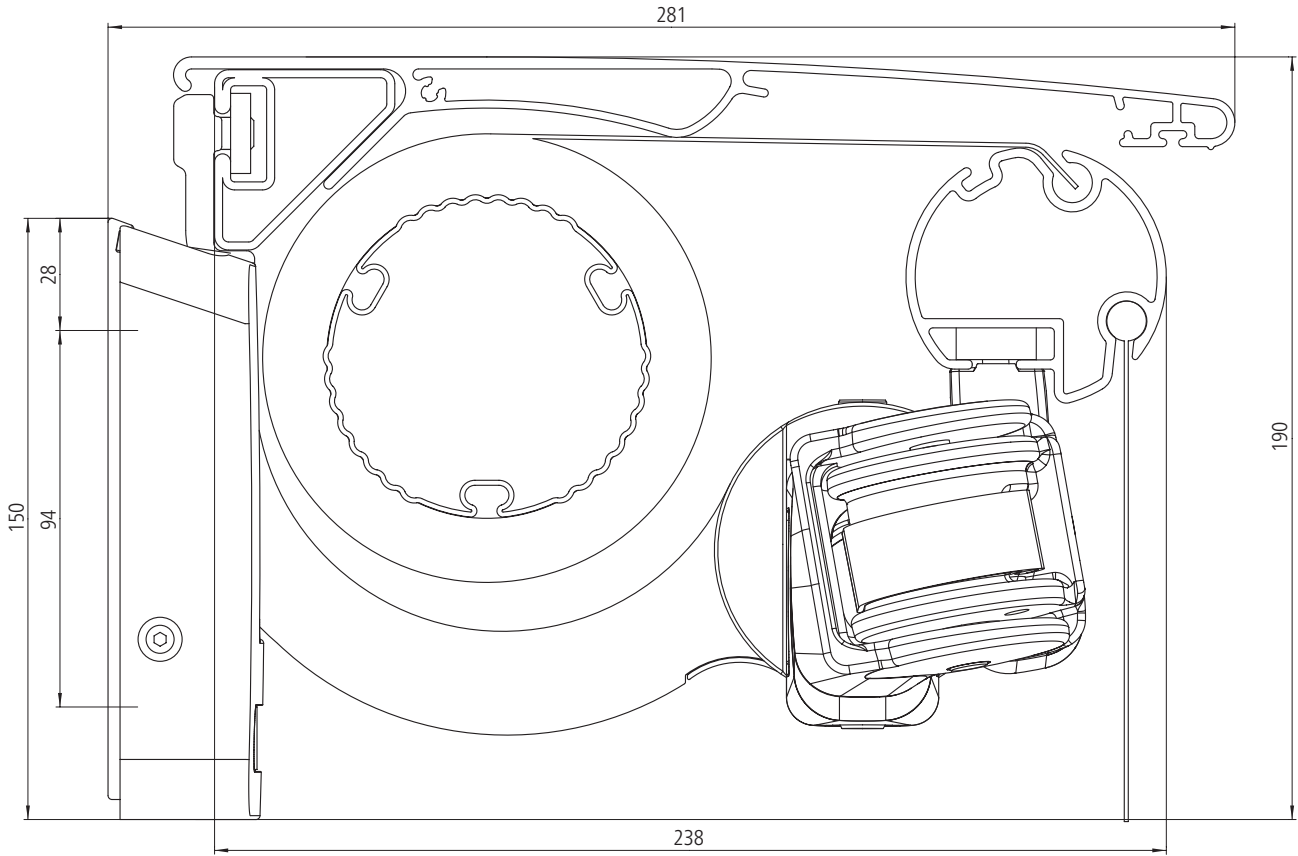
with up to 200-mm facing, wind resistance class 2 and a permissible centic tensile load of 5.71 kN for anchor bolts

- 2 x Livona standard wall brackets 215 mm
- 3 Livona Standard wall brackets 215 mm
- ▲ 2 x Livona standard wall brackets 395 mm
- ▲ 2 Livona standard wall brackets, 395 mm and 1 standard central bracket 215 mm

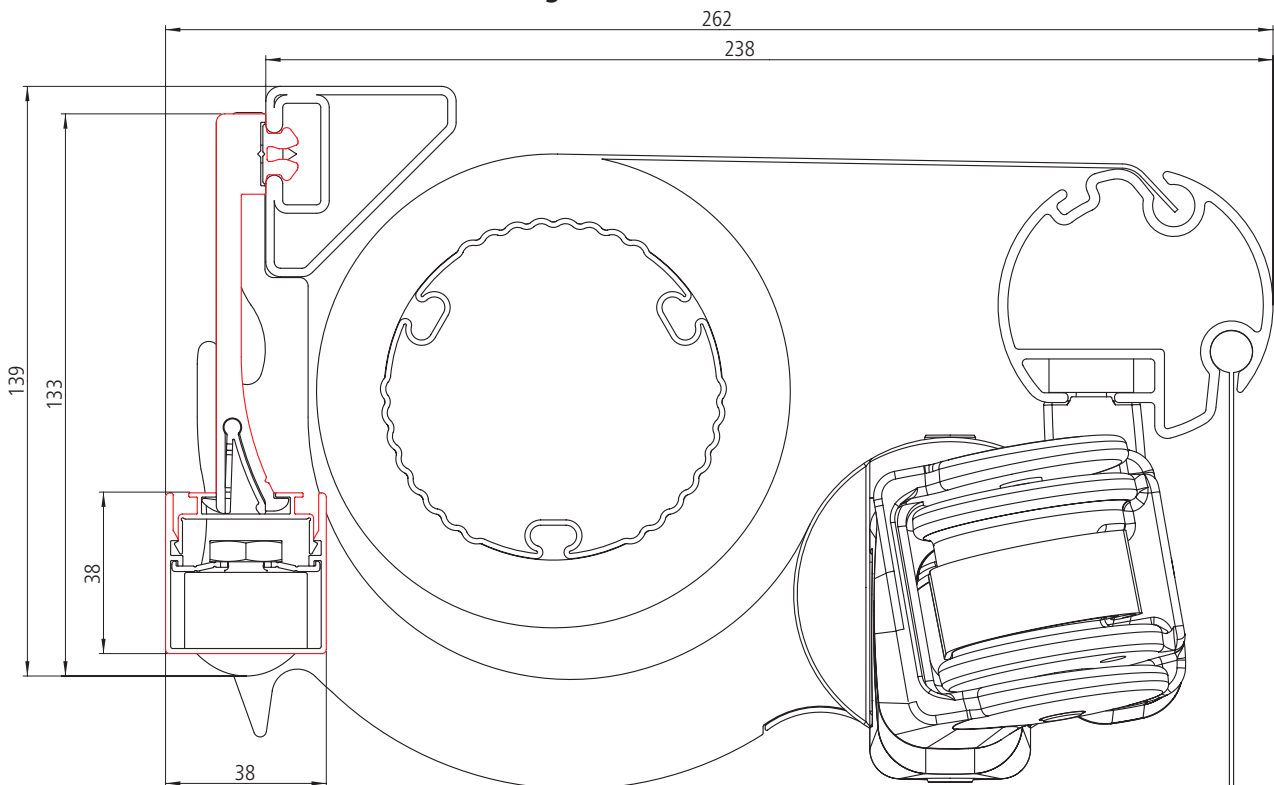


Cross-sections

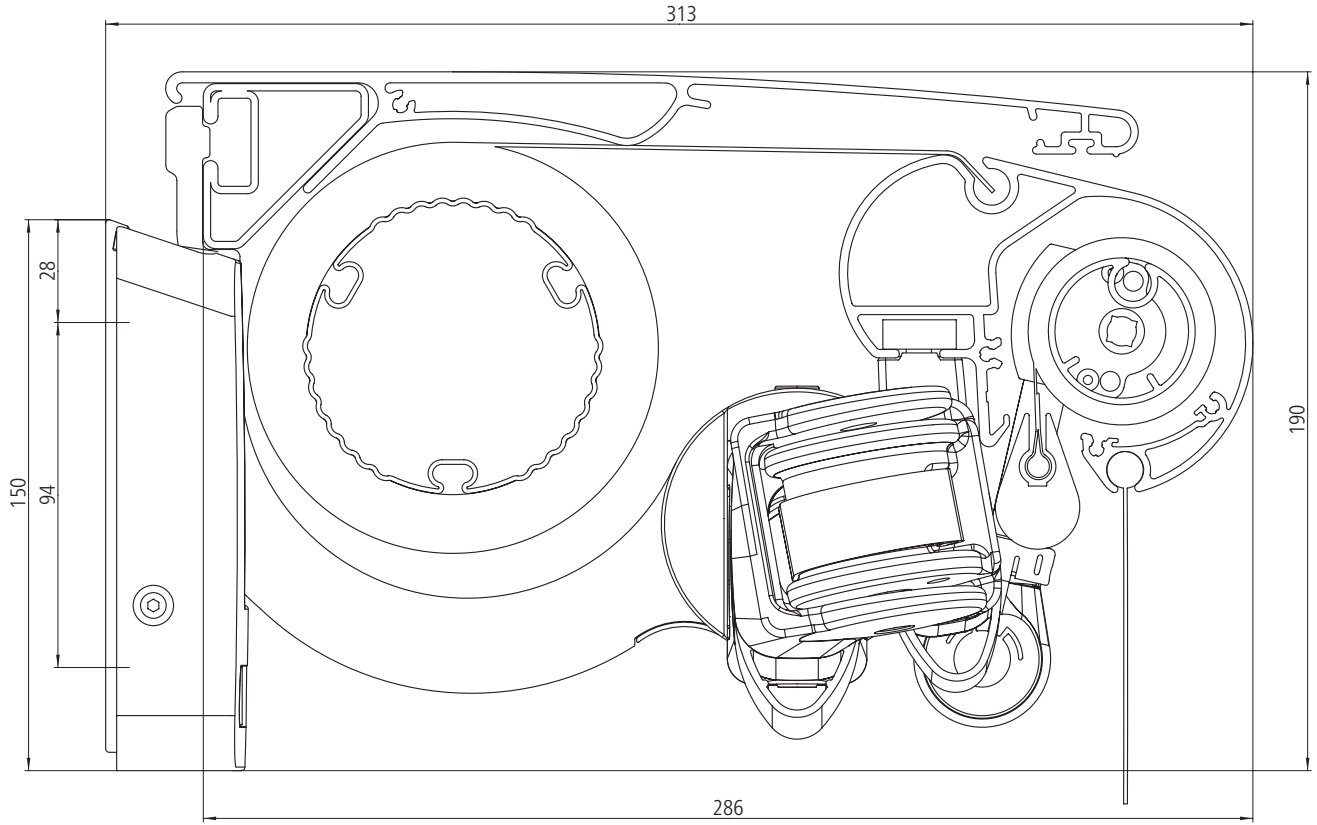
weinor Livona with roof



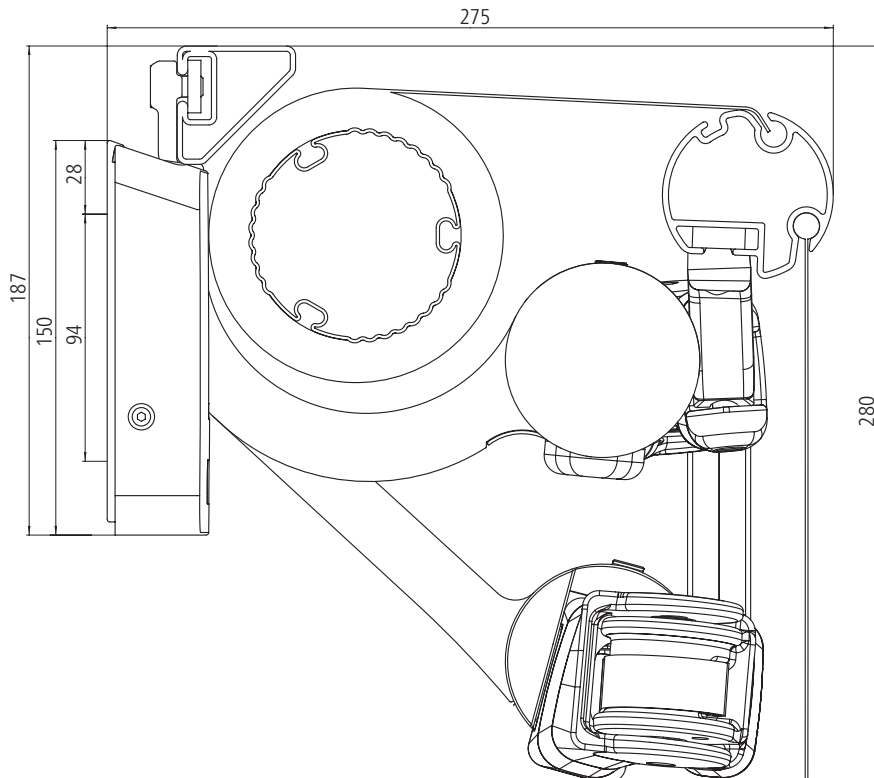
weinor Livona without roof with LED SLIM light bar



weinor Livona with roof Valance Plus



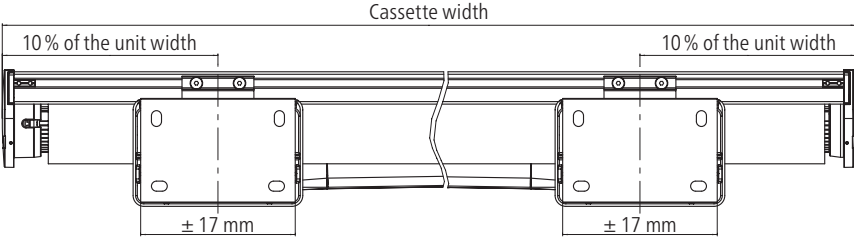
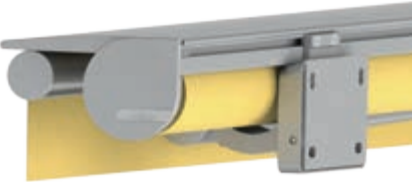
weinor Livona MiniMax without roof



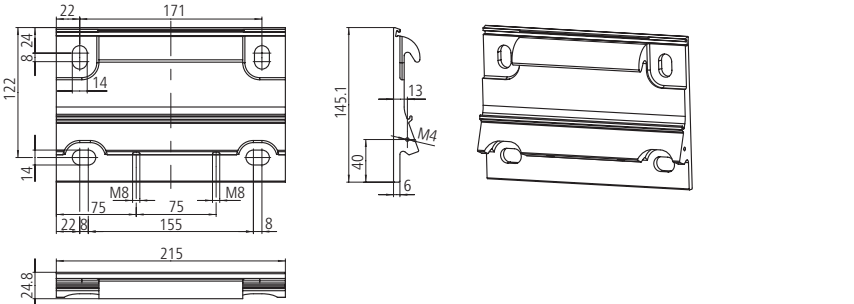
Figures are in mm

Livona Installation

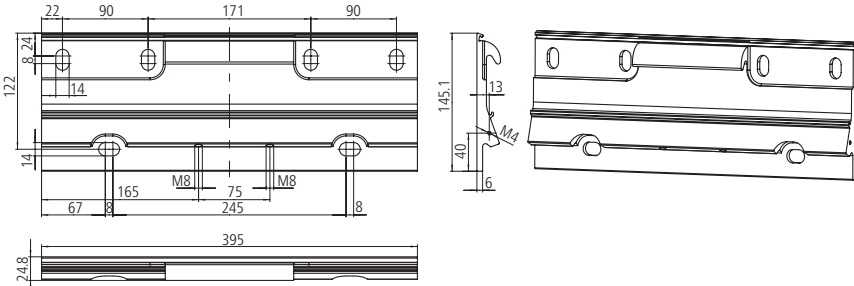
Wall mounting – brackets



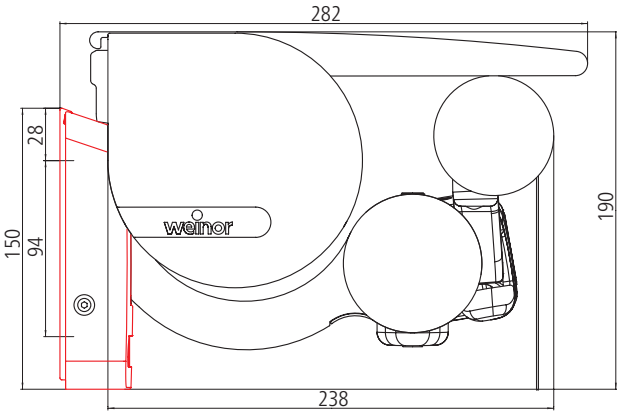
Standard bracket position



Wall bracket (without cover) 215 mm



Wall bracket (without cover) 395 mm

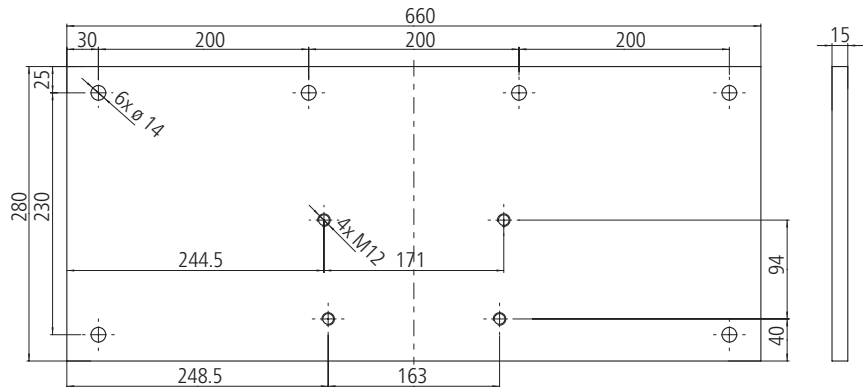


Side view
weinor Livona with roof: wall mounting

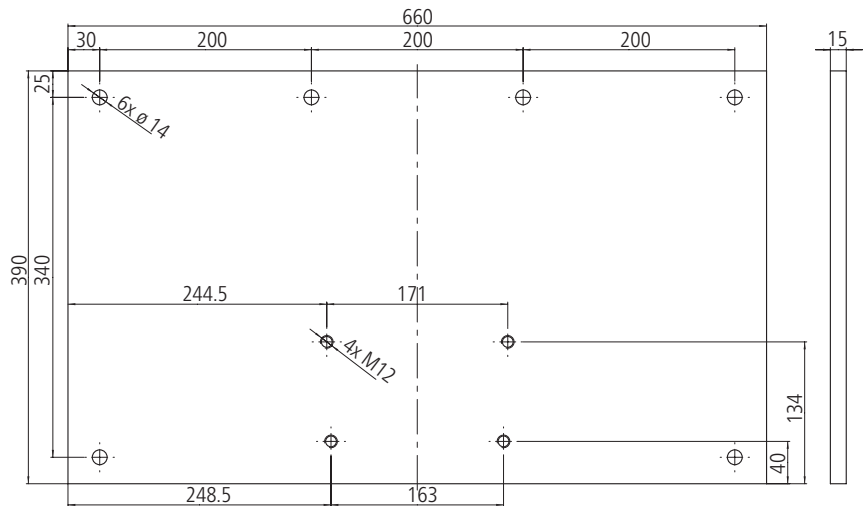
Wall mounting – mounting plates



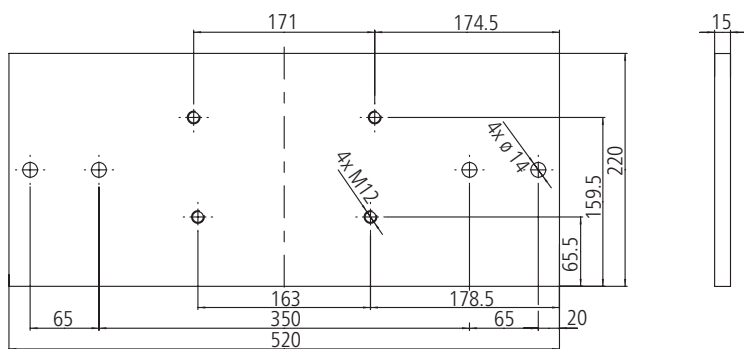
Mounting plate 660 x 280 x 15 mm



Mounting plate 660 x 390 x 15 mm

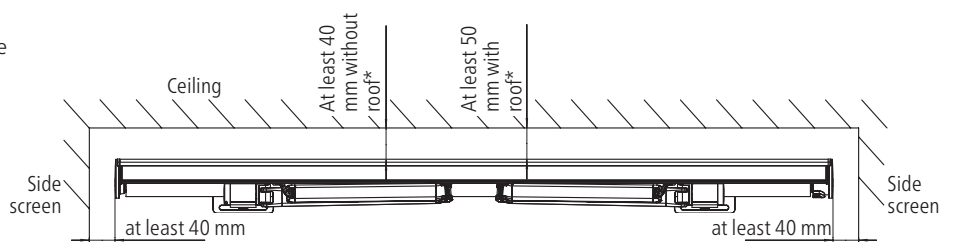


Ceiling front plate 520 x 200 x 15 mm



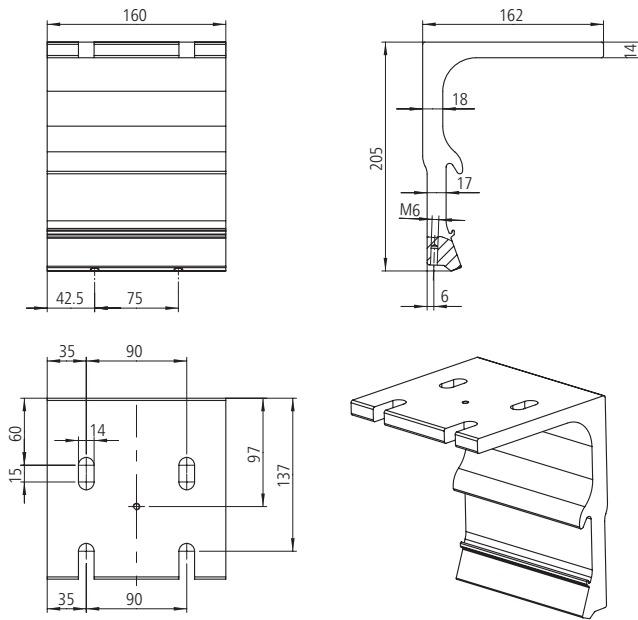
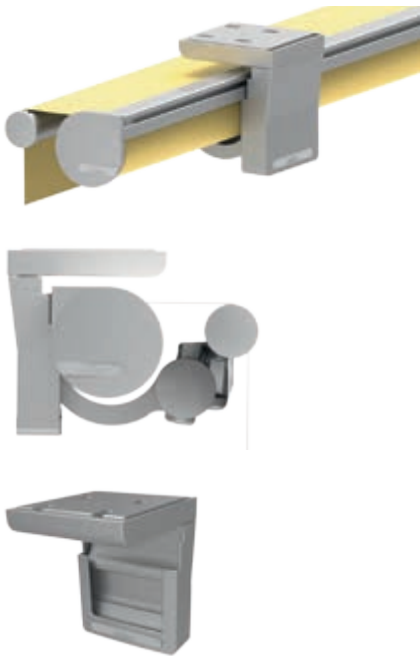
Minimum spacing distances for installation in the niche (wall mounting)

* Please note: With weinor Livona LED or in case of use of BiConnect, increase the minimum distance by 40 mm (height of receiver box)



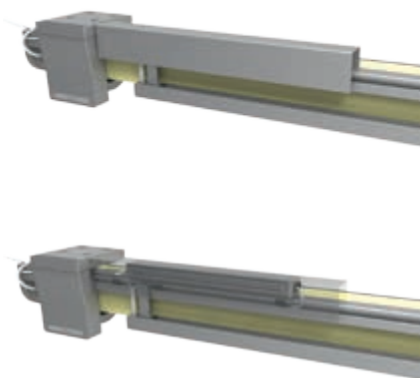
Livona Installation

Ceiling mounting



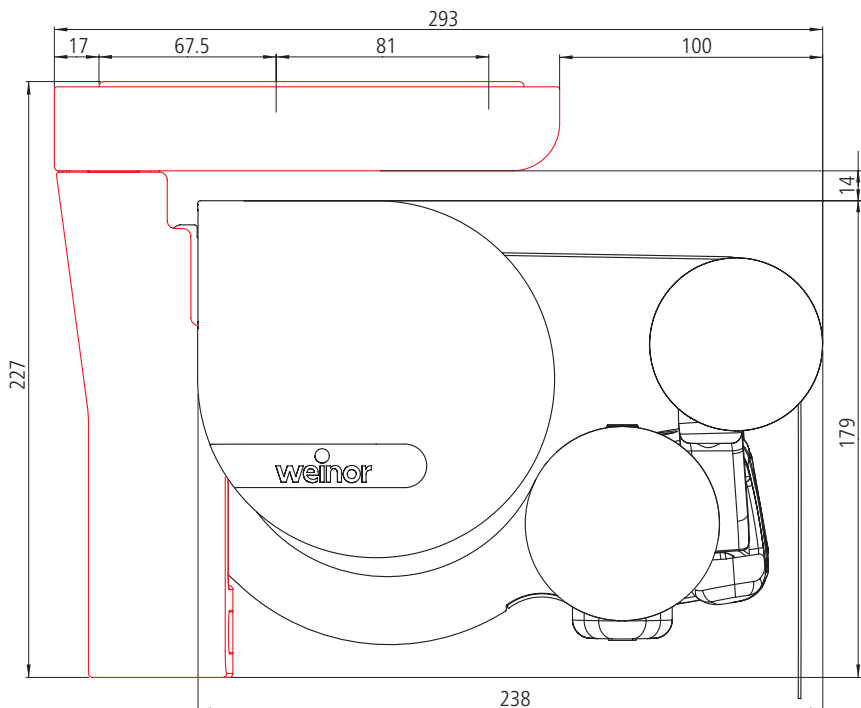
Ceiling bracket (without cover)

Receiver box cover plate for ceiling mounting



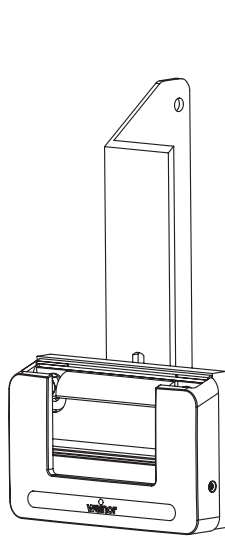
Transparent view of cover plate

- Up to 500 cm width of awning – length of cover plate 70 cm
- From 501 cm width of awning – length of cover plate 90 cm

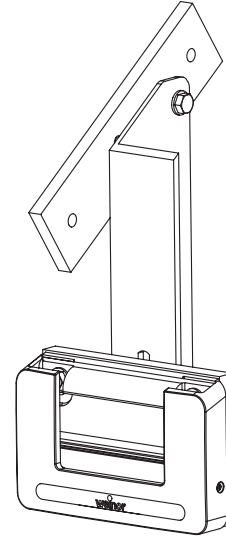


Side view weinor Livona without roof: roof mounting

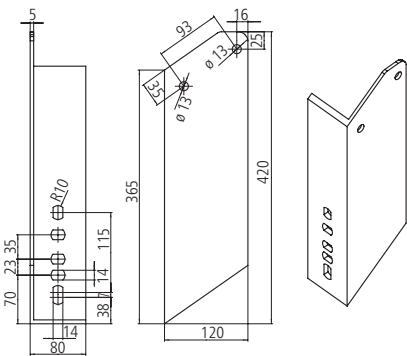
Rafter mounting



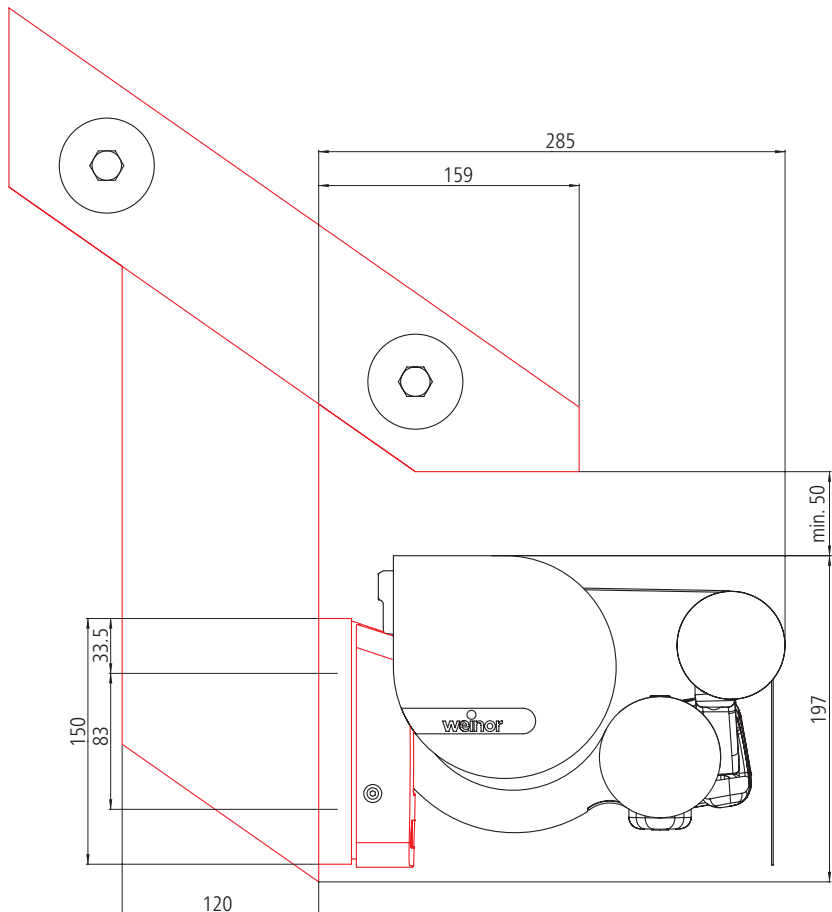
Right-hand rafter bracket



Rafter bracket with mounting plate for right-hand rafter bracket. weinor recommends using a mounting plate for the rafter bracket.



Rafter bracket



Side view weinor Livona without roof: rafter mounting







Extraction forces

The extraction force is the force with which the weight of the awning and the wind load pull on each upper fixing. The tables indicate this force in N per upper fixing. It varies depending on the awning size and the wall bracket/mounting plate used.

Selecting the wall bracket and anchoring system:

1. Consult relevant table for extraction force per fixing for selected awning size.
2. Select a wall bracket/mounting plate for which there is fixing material which can resist the indicated extraction force. Remember to take into account the spacing, the area which will be damaged if the fixing breaks out, the type of fixing material used and the mounting base.

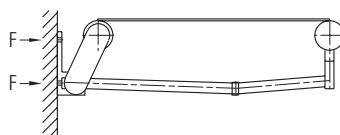
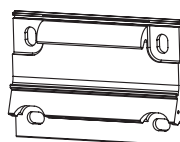
See separate bracket overview for other bases.

-  1 standard wall bracket (215 mm) plus 1 roller support incl. separate fastening from 601 cm, 1 standard wall bracket (215 mm) per awning arm, Fasteners: 8 in all
-  1 wall bracket (395 mm), 1 roller support incl. separate fastening from 601 cm, 1 standard wall bracket (395 mm) per awning arm, Fasteners: 12 in all
-  1 wall bracket (660 x 220 mm), incl. 1 standard wall bracket (215 mm), 1 roller support incl. separate fastening from 601 cm, Fasteners: 12 in all
-  1 wall bracket (660 x 390 mm), incl. 1 standard wall bracket (215 mm), 1 roller support incl. separate fastening from 601 cm, Fasteners: 12 in all

Wall mounting on C20/25 concrete with up to 200 mm of facing extraction force in N per upper fixing for wall bracket

Width in cm	Projection in cm					
	150	200	250	300	350	400
200	583					
	291					
	148					
	77					
250	686	1032				
	343	516				
	174	262				
	91	137				
300	789	1189	1695			
	395	594	847			
	200	302	431			
	104	157	224			
350	892	1346	1915	2629		
	446	673	958	1315		
	227	342	487	668		
	118	178	254	348		
400	995	1502	2135	2924	3738	
	498	751	1068	1462	1869	
	253	382	543	743	950	
	132	199	283	387	495	
450	1099	1659	2356	3218	4117	5950
	549	829	1178	1609	2058	2975
	279	421	599	818	1046	1512
	145	220	312	426	545	788
500	1201	1815	2576	3513	5115	6505
	601	908	1288	1756	2557	3253
	305	461	655	892	1299	1653
	159	240	341	465	677	861
550	1305	1972	2797	4317	5557	7060
	652	986	1398	2158	2779	3530
	331	501	711	1097	1412	1794
	173	261	370	572	736	935
600	1408	2129	3017	4659	5999	7615
	704	1064	1509	2329	3000	3808
	358	541	766	1184	1524	1935
	186	282	399	617	794	1008
650	1511	2285	3666	5000	6441	8171
	756	1143	1833	2500	3221	4085
	384	581	931	1270	1636	2076
	200	303	485	662	853	1082
651	1068	1614	2579	3538	4550	5797
	534	807	1289	1769	2275	2898
	271	410	655	899	1156	1473
	141	214	341	468	602	767
700	1137	1718	2748	3766	4845	6167
	569	859	1374	1883	2422	3083
	289	436	698	957	1231	1567
	151	227	364	499	641	816

3 arms are used from a width of 651 cm.



F = force

Extraction forces

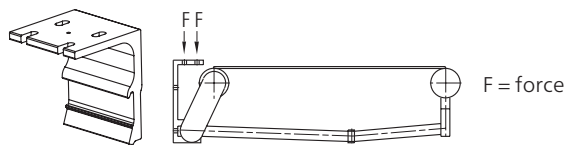
Ceiling installation (on C20/25 concrete)

Extraction forces in N for ceiling mounting

- 1 roof mounting bracket complete incl. cover
- 1 ceiling bracket per awning arm brackets: 8 altogether plus 1 roller support with mounting plate incl. separate top mounting from 601 cm

Width in cm	Projection in cm					
	150	200	250	300	350	400
250	452	671				
300	523	777	1100			
350	595	882	1247	1706		
400	667	988	1393	1901	2433	
450	738	1093	1540	2095	2682	3860
500	810	1199	1686	2290	3314	4223
550	882	1304	1832	2794	3603	4586
600	953	1410	1979	3017	3892	4948
650	1025	1516	2380	3240	4180	5311
651	771	1116	1721	2338	2999	3813
700	823	1191	1836	2491	3195	4059

3 arms are used from a width of 651 cm.



Rafter mounting

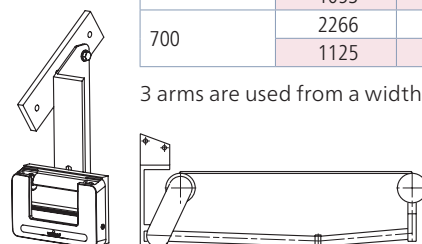
Shear forces in N per bracket for rafter mounting

- 1 rafter bracket plus 1 standard wall bracket (215 mm), one of each for left and right, 1 rafter bracket plus 1 support roller with mounting plate as a central bracket from a width of 601 cm

- 1 rafter bracket incl. 1 mounting plate for rafters plus 1 standard wall bracket (215 mm), one of each for left and right, 1 rafter bracket plus 1 mounting plate for rafters plus 1 support roller with mounting plate as a central bracket from a width of 601 cm

Width in cm	Projection in cm					
	150	200	250	300	350	400
200	1088					
	499					
250	1286	1943				
	594	860				
300	1483	2241	3198			
	689	995	1383			
350	1681	2538	3616	4973		
	784	1131	1567	2115		
400	1879	2836	4035	5533	8009	
	879	1266	1751	2356	3358	
450	2077	3133	4453	6092	8846	11298
	974	1401	1935	2597	3711	4702
500	2274	3431	4871	6652	9683	12353
	1069	1536	2118	2839	4064	5144
550	2472	3729	5289	8120	10519	13408
	1163	1671	2302	3447	4417	5585
600	2670	4026	5707	8764	11356	14463
	1258	1807	2486	3722	4770	6027
650	2868	4324	6872	9408	12192	15518
	1353	1942	2972	3998	5124	6468
651	2126	3154	4938	6759	8720	11113
	1053	1469	2190	2927	3719	4687
700	2266	3361	5264	7196	9286	11824
	1125	1568	2337	3118	3963	4990

3 arms are used from a width of 651 cm.





Premium quality
made in Germany



Awning



Awning
with Valance Plus
and Tempura



Awning
with Valance Plus
and Paravento



Pergola awning
Plaza Viva
and Paravento



Pergola awning
weinor PergoTex II
and Tempura



Pergola awning
weinor PergoTex II
with VertiTex II



Terrazza
patio roof
with Sottezza II
sun protection



Terrazza patio roof
with lateral SUPER LITE
fixed glazing



Glasoase® with
conservatory awning
WGM Top and full glass
sliding door w17 easy

AWNINGS

PERGOLA AWNINGS

CUSTOMISED, SYSTEMISED SOLUTIONS

PATIO ROOFS AND GLASOASE®

We reserve the right to make technical changes as well as changes in range and product portfolio. For technical reasons, the colours may appear slightly different when printed.

As of: 08/2018 Z

