



Cassette awning

I/K/N 2000

The **I/K2000** is the tried-and-tested, classic cassette awning – as an **I2000** without rear wall for level building facades, as the **K2000** with back plate for uneven bases. The sturdy weinor awning with its carrier bar can be used almost anywhere. As the decor on the front profile and the side caps suggest, the **I/K2000** tends towards a more traditional design. The optional LED light bar makes the awning part of any stylish evening. The **N2000** is literally a niche item: with its projection profile, the awning disappears almost completely into the facade – with simple, straight lines, it is designed to meet a specific need.

UPDATE
october 2019

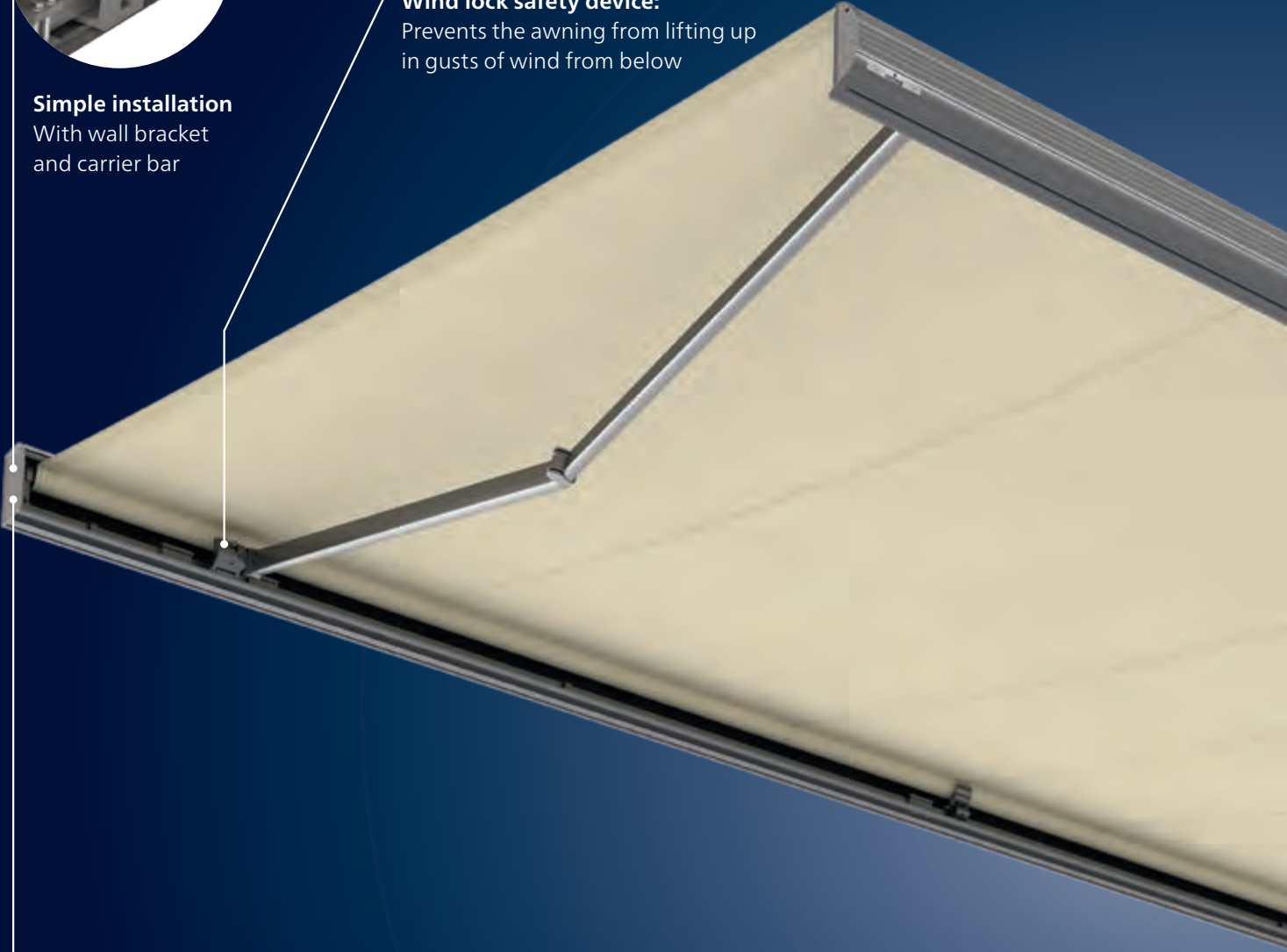
Page 88,
2 pages with technical
drawings added



Simple installation
With wall bracket
and carrier bar



Wind lock safety device:
Prevents the awning from lifting up
in gusts of wind from below



I 2000:
Without back plate



K 2000:
With back plate

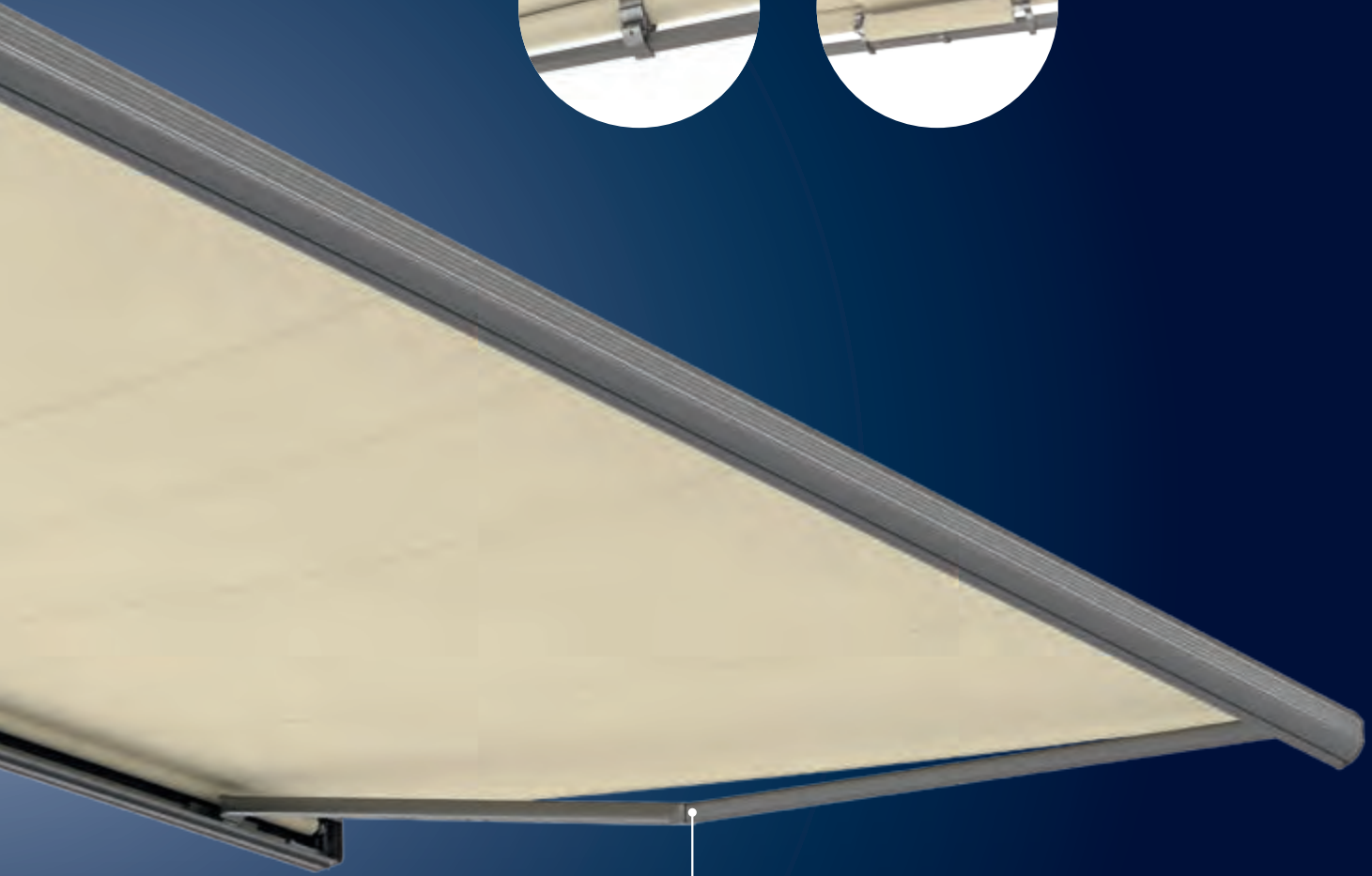


N 2000:
For niche installations

I/K/N 2000 Highlights

Coupled/joined units:
With roller supports

or jockey cover



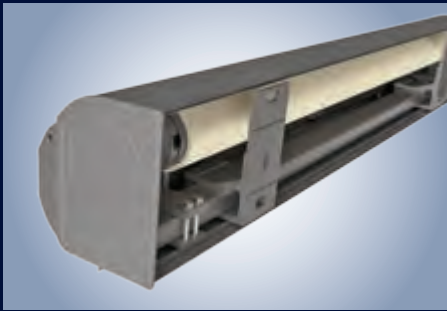
Optional LED Design light bar:
Highly energy-efficient



weinor LongLife arm:
Very durable and low-noise



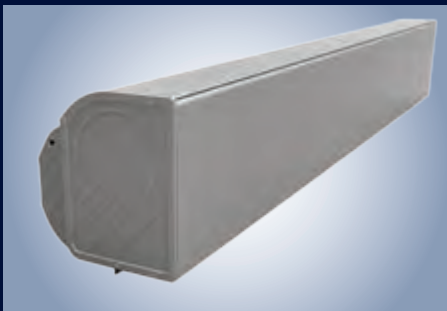
I/K/N 2000 Benefits



I 2000: open cassette – perfect for wall installation

The I 2000 cassette awning is open on the side facing the wall.

- Extremely well suited to wall mounting, e.g. beneath roof overhangs
- Shapely front profile allows it to close precisely and provide perfect protection for fabric and fittings



K 2000: closed cassette – back plate for extra protection

The K 2000 features an additional rear wall, completely closing it off.

- For every constructional situation
- Back plate profile makes it equally suitable for
 - wall installation
 - ceiling installation
 - rafter installation
 - installation on special brackets



weinor LongLife Arm – durable, quiet operation

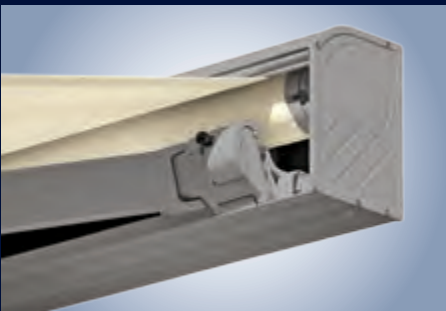
The weinor LongLife arm features an exceptionally robust high-tech belt.

- Tested to more than 100,000 cycles
- Extremely quiet operation
- No maintenance required
- Drop forged aluminium in joint – light but highly robust



N 2000: niche cassette – flush to facade installations

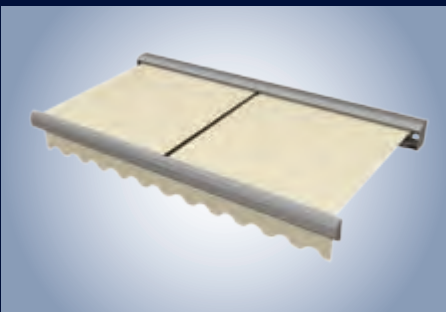
- The N 2000 is specially designed for niche installation.
- Embedded in the building facade
 - Edge of front profile fits flush with the building facade
 - Tilting mechanism ensures the front profile closes securely



Wind lock safety device – reliable protection

The ultramodern technology prevents the awning from lifting up when wind gusts from below.

- Patented wind lock safety device
- Via a tilting mechanism, the front profile and awning arm are tilted when ascending
- Proven, maintenance-free technology
- All components made of forged and extruded aluminium



Multi-section units – to shade especially large areas

The I/K 2000 also comes as a combined multi-section unit for very large terraces – coupled or in series.

- As a 2-part unit up to 1,200 cm
- Jockey cover or roller support with continuous fabric

I/K/N 2000 Technology

I/K/N 2000 versions	I/K 2000	N 2000
Technology		
Max. width, 1-section/2-section with jockey cover or roller support	700 cm/1,200 cm	600 cm
Max. projection	400 cm	350 cm
Cassette size (w x h) incl. standard bracket	198/200 mm x 211 mm	210 mm x 197 mm
Coupled systems	○	—
Gear drive	○	○
Motor drive	● as standard	● as standard
Angle of pitch on awning	5° to 40°	5° to 40°
Installation alternatives	can be installed on walls, ceilings and rafters	
LED lighting: (Design light bar)	○	○
LongLife arm	● as standard	● as standard
Accessories		
Heating system Tempura/Tempura Quadra	○	○
LED Design light bar	○	○
BiSens Agido-3V product protection sensor	○	○
Controls		
Radio control	○	○
No remote	●	●
Weather sensors		
Sun/wind sensor BiConnect BiSens SW-230 V	○	○
Sun/wind sensor solar powered BiConnect BiSens SW-Solar+	○	○
Sun/wind/rain sensor BiConnect-BiSens-SWR-230V	○	○
Quality		
Tested up to	wind resistance class 2 according to DIN 13561 (wind strength 5 on the Beaufort scale)	

● standard ○ optional — unavailable

I/K/N 2000 Controls

weinor BiConnect radio controller

Product	Electronics	BiConnect control	Remote receiver	Transmitter
I/K/N 2000	I/K/N 2000 drive	<ul style="list-style-type: none"> • BiRec receiver integrated into cassette 	BiRec MA-K	<ul style="list-style-type: none"> • BiEasy 1M/5M/15M Go! hand transmitter • App • 1MW-3V wall transmitter
I/K/N 2000 LED	I/K/N 2000 drive and LED lighting	<ul style="list-style-type: none"> • BiRec combi-receiver for main drive and LED light bar (with integrated power supply pack) integrated into light bar • Dimmable LED 	BiRec MA-K and BiRec LED	<ul style="list-style-type: none"> • BiEasy 5M/15M Go! hand transmitter • App
Accessories (optional)	Tempura/Tempura Quadra heating system	<ul style="list-style-type: none"> • Dimmable, additional receiver required • Installation of the receiver in the design bar provided for this purpose or the Tempura Quadra box 	BiRec HD	<ul style="list-style-type: none"> • BiEasy 5M/15M Go! hand transmitter • App

Requires: awning with BiConnect remote control and sensors require a BiEasy 1M, 5M or 15M Go!

Somfy io-homecontrol® radio technology

Product	Electronics	Somfy io-homecontrol control	Remote receiver	Transmitter
I/K/N 2000	I/K/N 2000 drive	<ul style="list-style-type: none"> • Somfy io remote-controlled motor integrated into cassette 	Somfy io remote-controlled motor	<ul style="list-style-type: none"> • Situo 1 io Pure/Situo 5 io Pure/Situo 5 io Pure Variation A/M hand transmitter • Smoove 1 io Pure Shine wall transmitter
I/K/N 2000 LED	I/K/N 2000 drive and LED lighting	<ul style="list-style-type: none"> • Somfy io remote-controlled motor integrated into cassette • Additional Somfy receiver for the LED light bar (with downstream power supply pack) integrated into light bar • LED not dimmable 	Somfy io remote-controlled motor and Lighting Receiver io	<ul style="list-style-type: none"> • Situo 5 io Pure/Situo 5 io Pure Variation A/M hand transmitter
Accessories (optional)	Tempura/Tempura Quadra heating system	<ul style="list-style-type: none"> • Not dimmable, additional receiver required • Installation of the receiver in the design bar provided for this purpose or the Tempura Quadra box 	Heating Slim Receiver on/off io 2KW STAS3/STAK3	<ul style="list-style-type: none"> • Situo 5 io Pure/Situo 5 io Pure Variation A/M hand transmitter • Smoove 1 io Pure Shine wall transmitter

Somfy RTS radio technology

Product	Electronics	Somfy RTS control	Remote receiver	Transmitter
I/K/N 2000	I/K/N 2000 drive	<ul style="list-style-type: none"> • Somfy RTS remote-controlled motor integrated into cassette 	Somfy RTS remote-controlled motor	<ul style="list-style-type: none"> • Telis 1 RTS Pure/Telis 1 Soliris RTS Pure/Telis 4 RTS Pure/Telis 4 Soliris RTS Pure hand transmitter • Smoove 1 wall transmitter
I/K/N 2000 LED	I/K/N 2000 drive and LED lighting	<ul style="list-style-type: none"> • Somfy RTS remote-controlled motor integrated into cassette • Additional Somfy receiver for the LED light bar (with downstream power supply pack) integrated into light bar • LED not dimmable 	Somfy RTS remote-controlled motor and Lighting Slim Receiver RTS	<ul style="list-style-type: none"> • Telis 4 RTS Pure/Telis 4 Soliris RTS Pure hand transmitter
Accessories (optional)	Tempura/Tempura Quadra heating system	<ul style="list-style-type: none"> • Not dimmable, additional receiver required • Installation of the receiver in the design bar provided for this purpose or the Tempura Quadra box 	Heating Slim Receiver RTS Plug	<ul style="list-style-type: none"> • Telis 4 RTS Pure/Telis 4 Soliris RTS Pure hand transmitter

I/K/N 2000 Controls

Hard wired with Somfy control

Product	Electronics	Hard wired Somfy control	Control
I/K/N 2000	I/K/N 2000 drive	<ul style="list-style-type: none"> • Somfy control for awning drive 	e.g. Soliris Smooove Uno
I/K/N 2000 LED	I/K/N 2000 drive and LED lighting	<ul style="list-style-type: none"> • Somfy control for awning drive • Switch on site for the LED light bar • LED power supply pack integrated into light bar • LED not dimmable 	e.g. Soliris Smooove Uno and suitable light switch (on site)
Accessories (optional)	Tempura/Tempura Quadra heating system	<ul style="list-style-type: none"> • Not dimmable 	Suitable switch (on site)

Hard wired (existing switch/power supply on site)

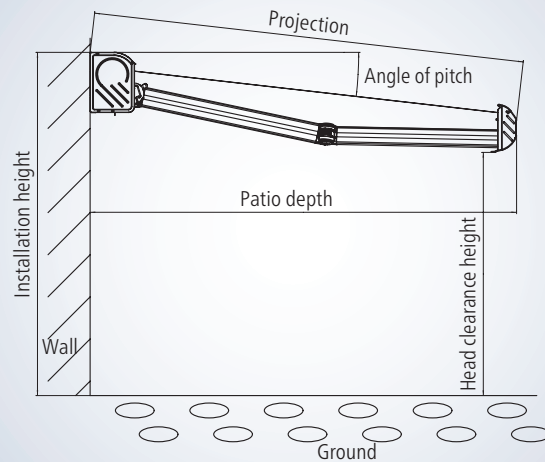
Product	Electronics	Hard wired control	Control
I/K/N 2000	I/K/N 2000 drive	<ul style="list-style-type: none"> • Awning switch for the awning drive 	e.g. double rocker switch switch (on site)
I/K/N 2000 LED	I/K/N 2000 drive and LED lighting	<ul style="list-style-type: none"> • Awning switch for the awning drive • Switch on site for the LED light bar • LED power supply pack integrated into light bar • LED not dimmable 	e.g. double rocker switch and suitable light switch (on site)
Accessories (optional)	Tempura/Tempura Quadra heating system	<ul style="list-style-type: none"> • Not dimmable 	Suitable switch (on site)

Note:

Please see the "Accessories" technical brochure for further details regarding the drive and control.

Some options are subject to a surcharge. For prices, please refer to the weinor awnings price list.

I/K/N 2000 Planning



Site measurements – determining the projection and head clearance height

- Find the projection by looking in the “Projection” table for the terrace depth.
- Using the projection from the table and the required angle of pitch, consult the “head clearance height” table for the head clearance height. This head clearance height refers to an installation height of 300 cm.
- Add/subtract the difference between 300 cm and the actual installation height to/from the head clearance height in the table.

Determining the projection

Angle of pitch	Terrace depth in cm					
	150	200	250	300	350	400
5°	150	200	250	300	350	400
15°	160	210	260	310	360	400
25°	170	220	270	330	390	400

Projection in cm (rounded figures)

This table can be used to find the awning projection for any given horizontal patio depth.

Determining the head clearance height

Angle of pitch	Projection in cm					
	150	200	250	300	350	400
5°	270	270	270	260	260	250
15°	250	240	220	210	200	180
25°	220	200	180	160	140	120

Head clearance height in cm (rounded figures)

This table is used to find the head clearance heights for various projections when the angle of pitch is 5°, 15° or 25°.

This table is based on the example of an installation height of 300 cm (upper edge of awning).

Wall bracket

Sizes and bracket recommendations



Width in cm	Number of arms	Projection in cm (irregular figures possible)					
		150	200	250	300	350	400
- 250	2	●	●	●			
251 - 300	2	●	●	●	●		
301 - 350	2	●	●	●	●	●	
351 - 400	2	●	●	●	●	▲	●
401 - 450	2	▲	▲	▲	▲	▲	●
451 - 500	2	▲	▲	▲	▲	▲	▲
501 - 550	2	▲	▲	▲	▲	▲	▲
551 - 600	2	▲	▲	▲	▲	▲	▲
601 - 650	2	▲	▲	▲	▲	▲	▲
651 - 700	3	●	●	●	▲	▲	▲

Wall mounting on C20/25 concrete

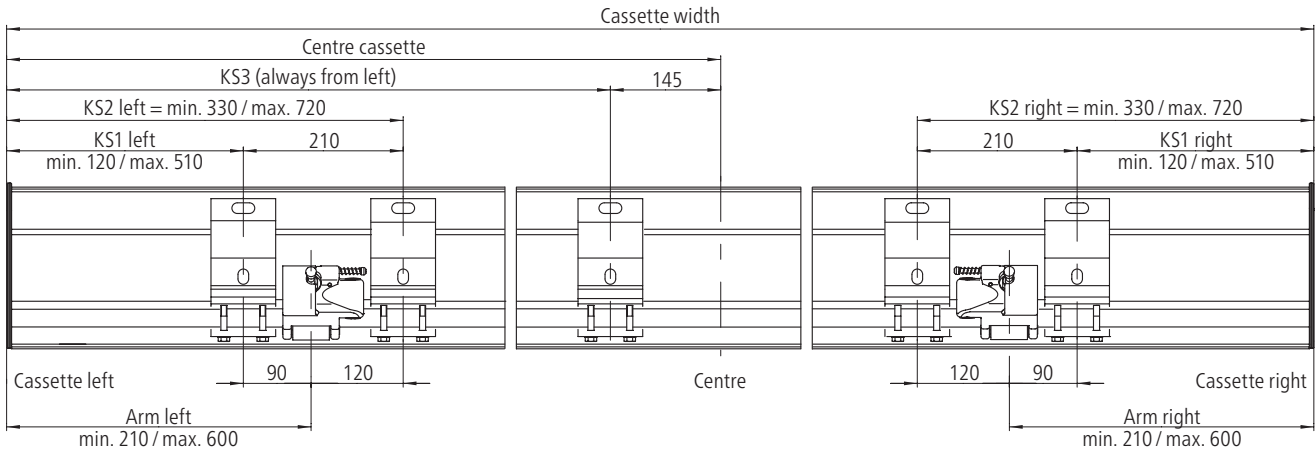
with up to 200-mm facing, wind resistance class 2 and a permissible centic tensile load of 5.71 kN for anchor bolts

- 2 I/K/N 2000 standard wall brackets, 85 mm
- 4 I/K 2000 wall brackets 85 mm
- 2+1 I/K 2000 wall brackets 2 (260) + 1 (85)
- ▲ 2 I/K/N 2000 standard wall brackets, 85 mm
- ▲ 5 I/K/N 2000 wall brackets 85 mm and
- ▲ 7 Standard wall brackets 85 mm

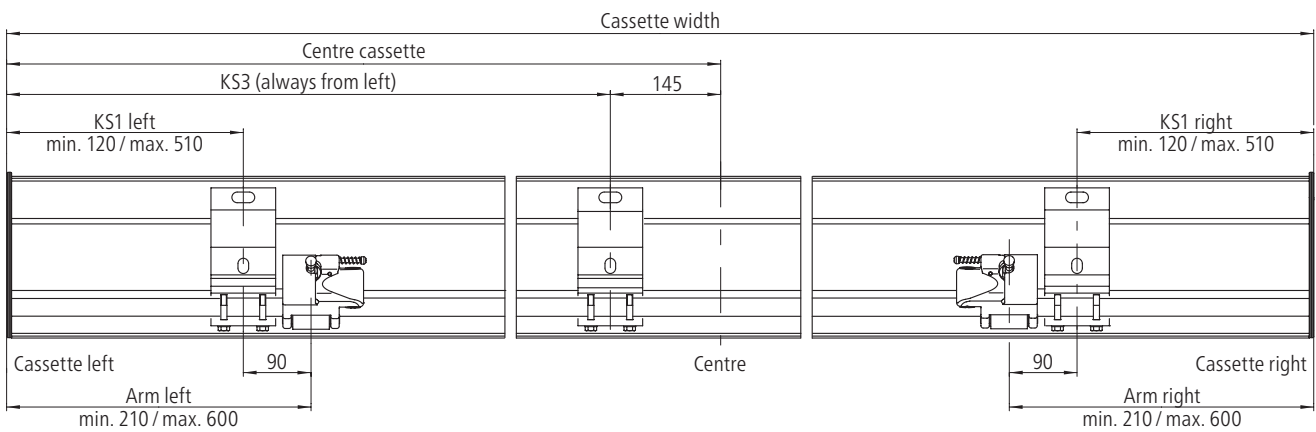


Position of wall brackets and cassette I/K 2000

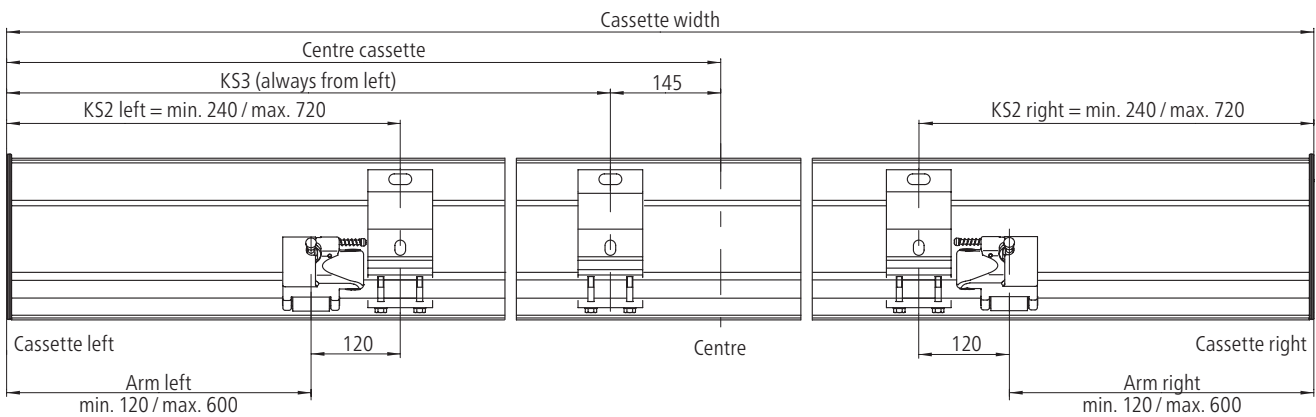
Wall bracket 85 on both sides (KS1 and KS2)



Wall bracket 85 outside (KS1)



Wall bracket 85 inside (KS2)

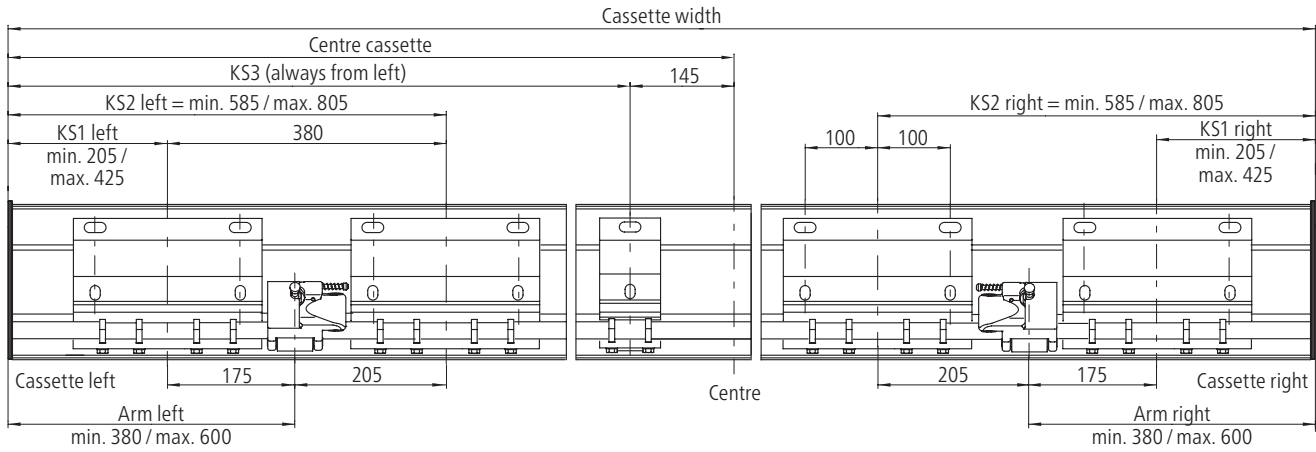


Notes:
 KS1 = outside bracket
 KS2 = inside bracket
 KS3 = centre bracket

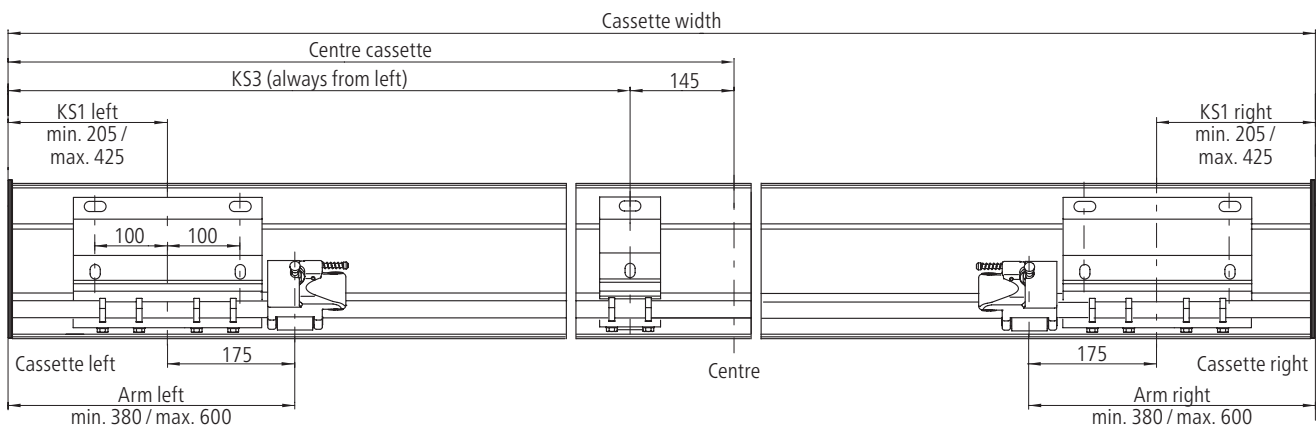
I/K/N 2000 Planning

Position of wall brackets and cassette I/K 2000

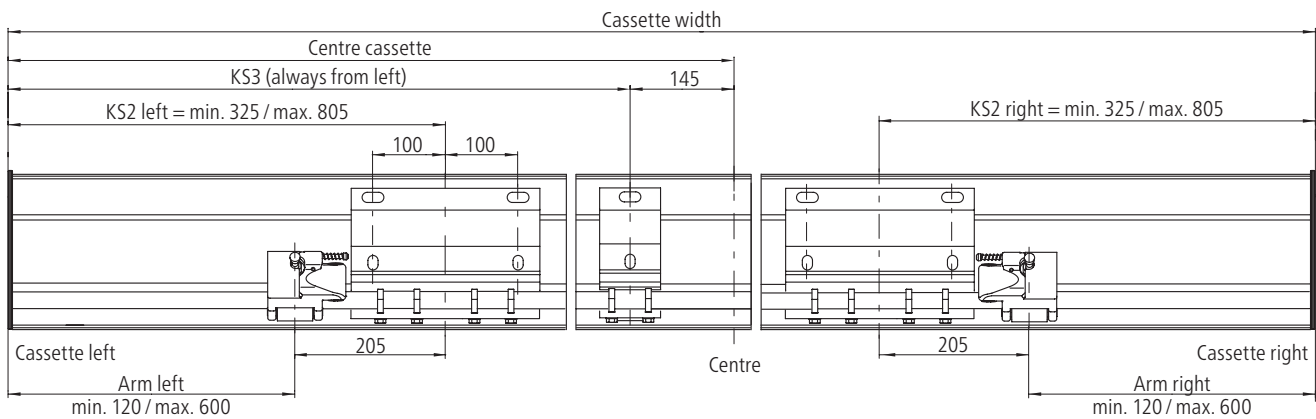
Wall bracket 260 on both sides (KS1 and KS2)



Wall bracket 260 outside (KS1)



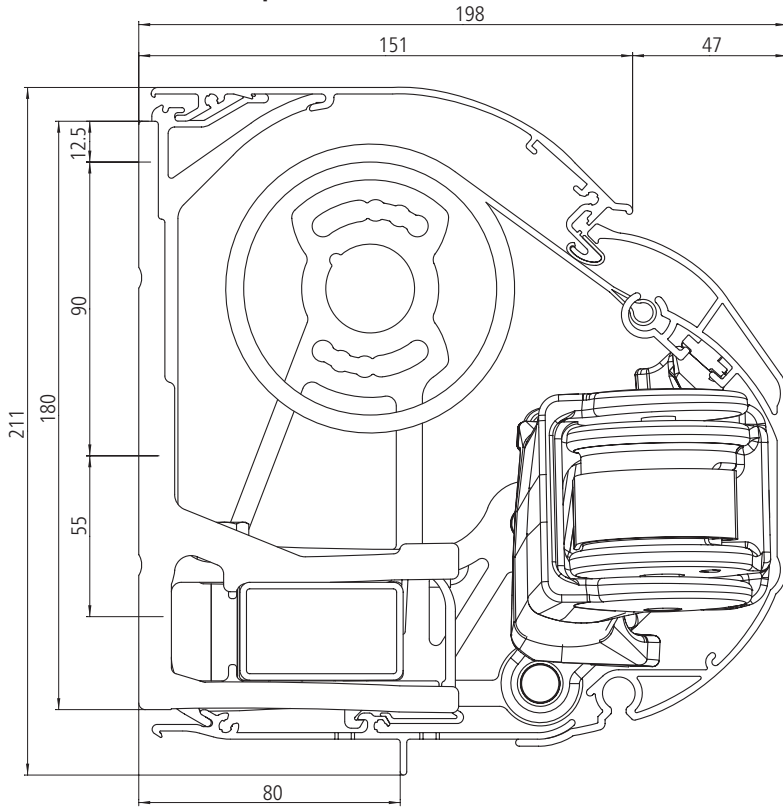
Wall bracket 260 inside (KS2)



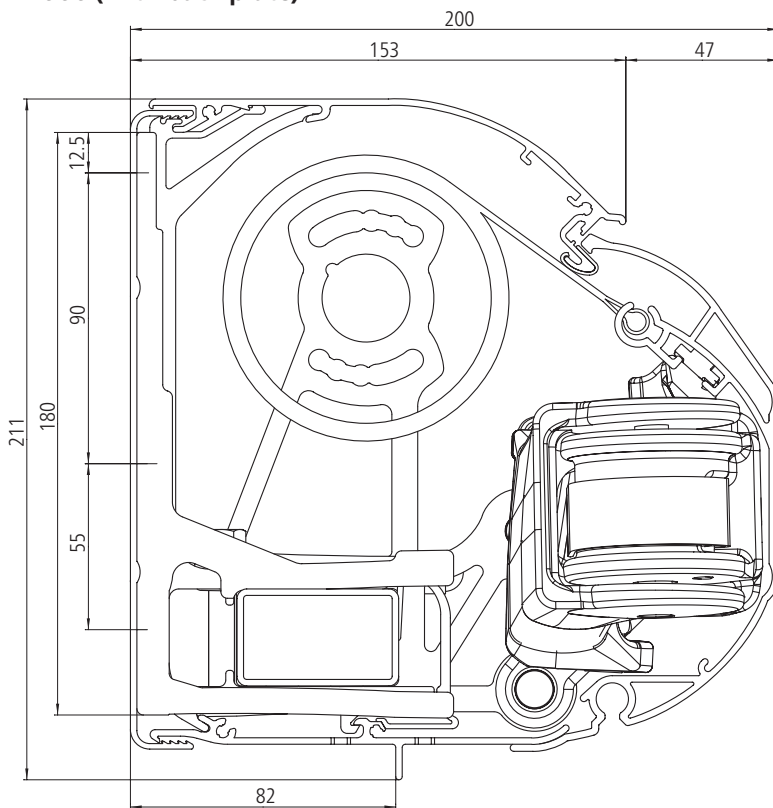
Notes:
 KS1 = outside bracket
 KS2 = inside bracket
 KS3 = centre bracket

Cross-sections

I2000 (without back plate)

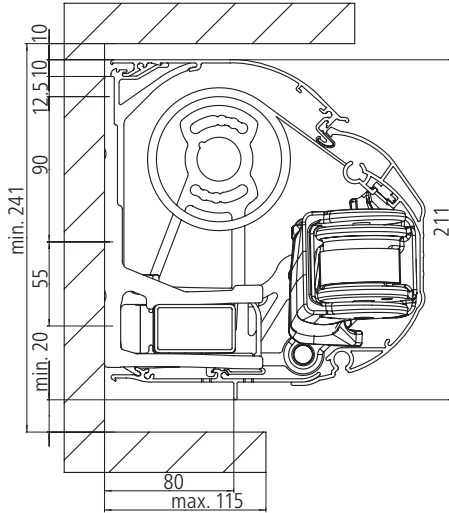


K2000 (with back plate)

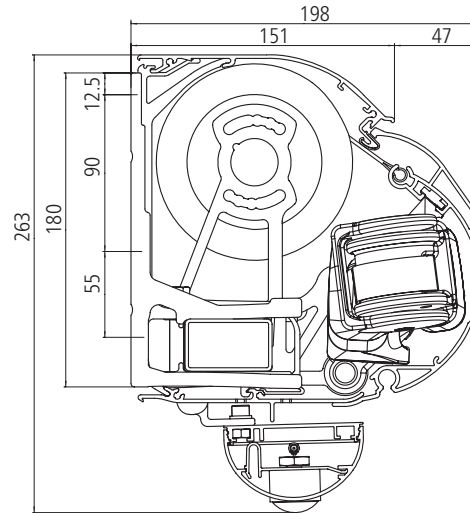


Cross-sections

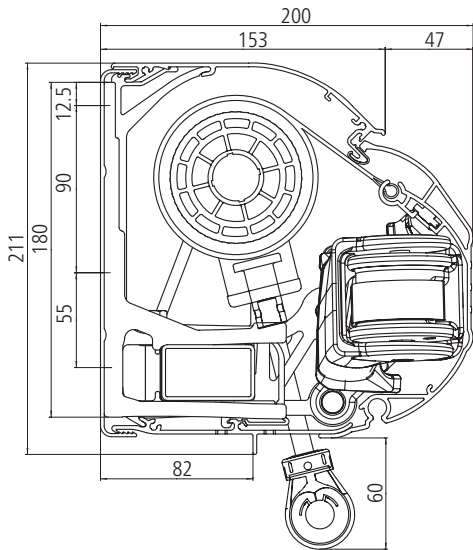
I2000 (without back plate) niche installation



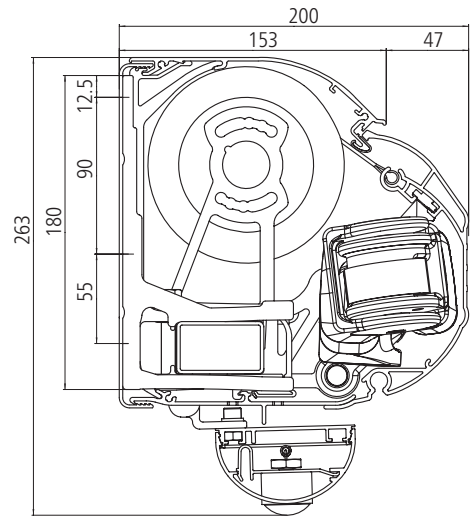
I2000 (without back plate) with LED Design light bar



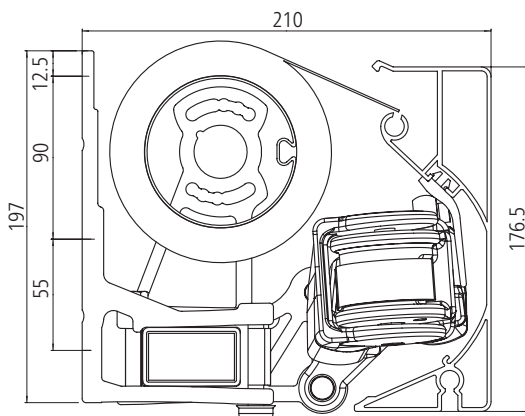
K2000 with gear box (with back plate)



I2000 (with back plate) with LED Design light bar



N2000



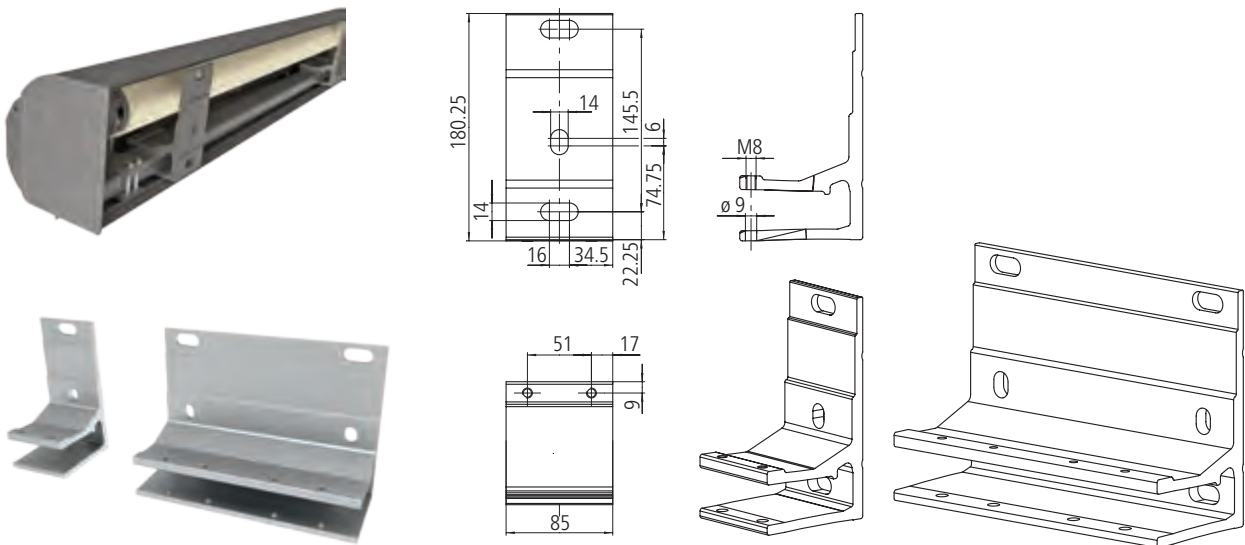
I/K/N 2000 Installation

Installation on walls, ceilings and rafters is possible

01

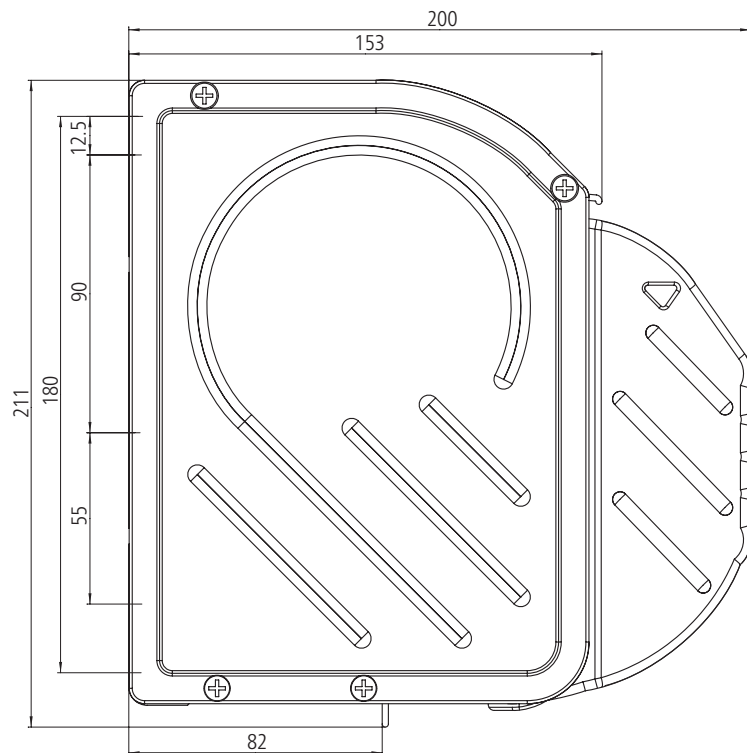
Its dimensions mean that the K2000 can be mounted in a wide range of ways: not only on a wall but also on a ceiling or a rafter. The I2000, open at the rear, is designed for wall installation, while the N 2000 is intended as a special product for niches. The brackets are made of extruded, powder-coated aluminium.

Wall mounting – brackets



85 mm wall bracket

260 mm wall bracket

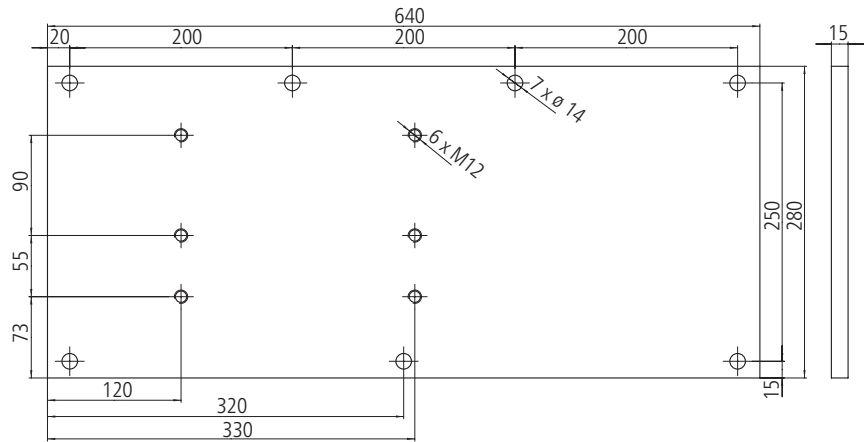


Side view with 85 mm wall bracket

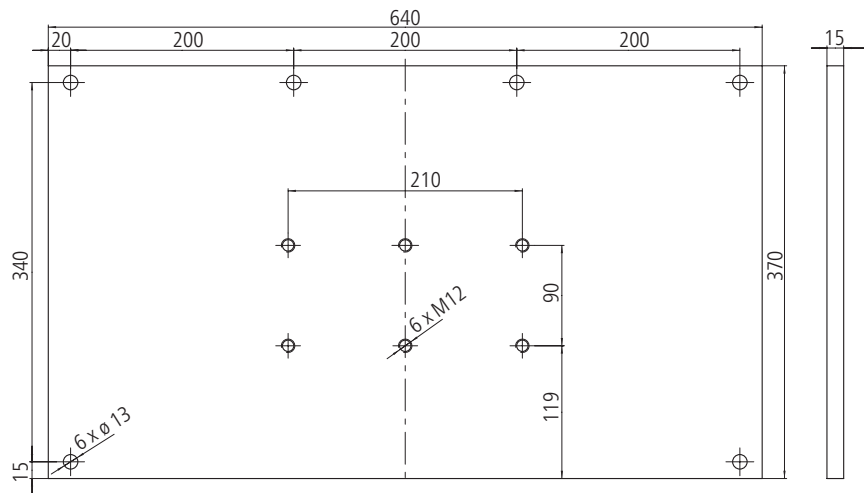
Wall mounting – mounting plates



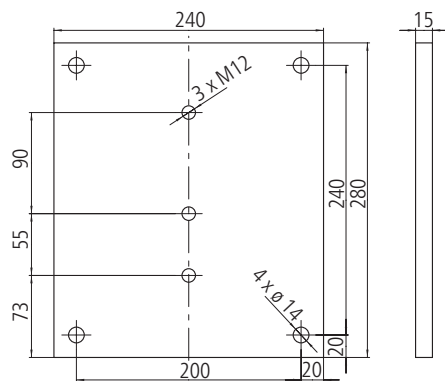
Mounting plate 640 x 280 x 15 mm



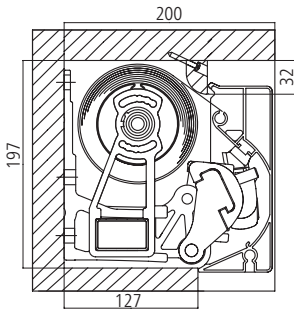
Mounting plate 640 x 370 x 15 mm



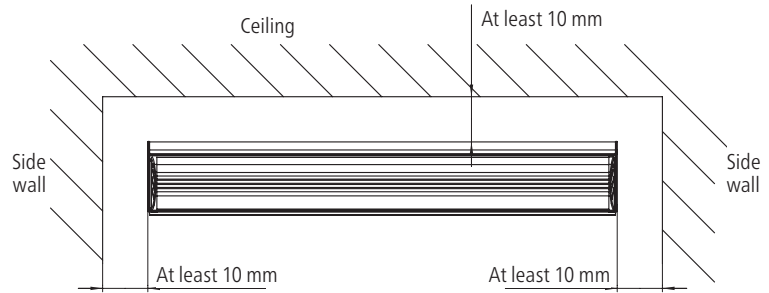
Mounting plate 240 x 280 x 15 mm



Minimum spacing distances for installation

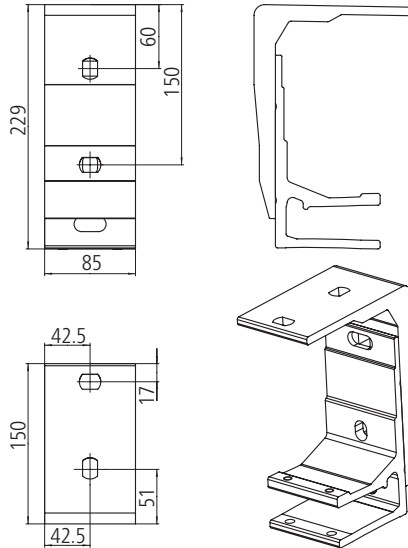


Type N niche installation

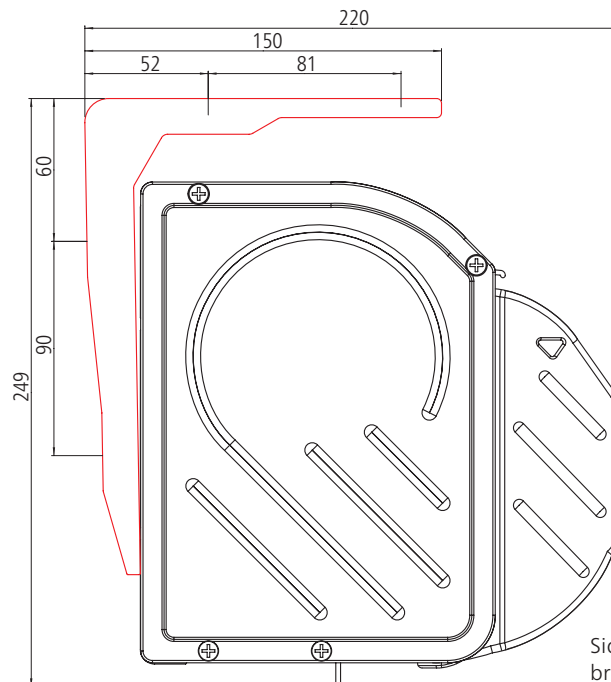


Type I und Type K with niche installation

Ceiling mounting

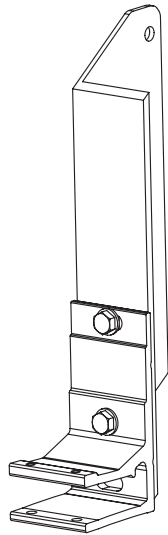


Ceiling bracket

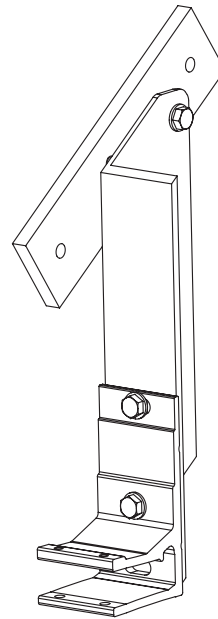


Side view with ceiling bracket

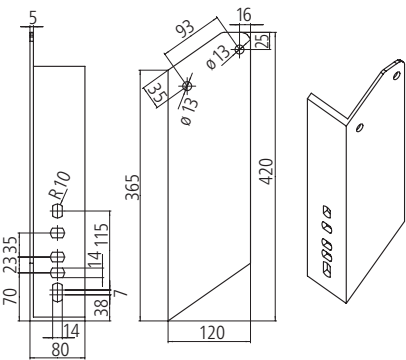
Rafter mounting



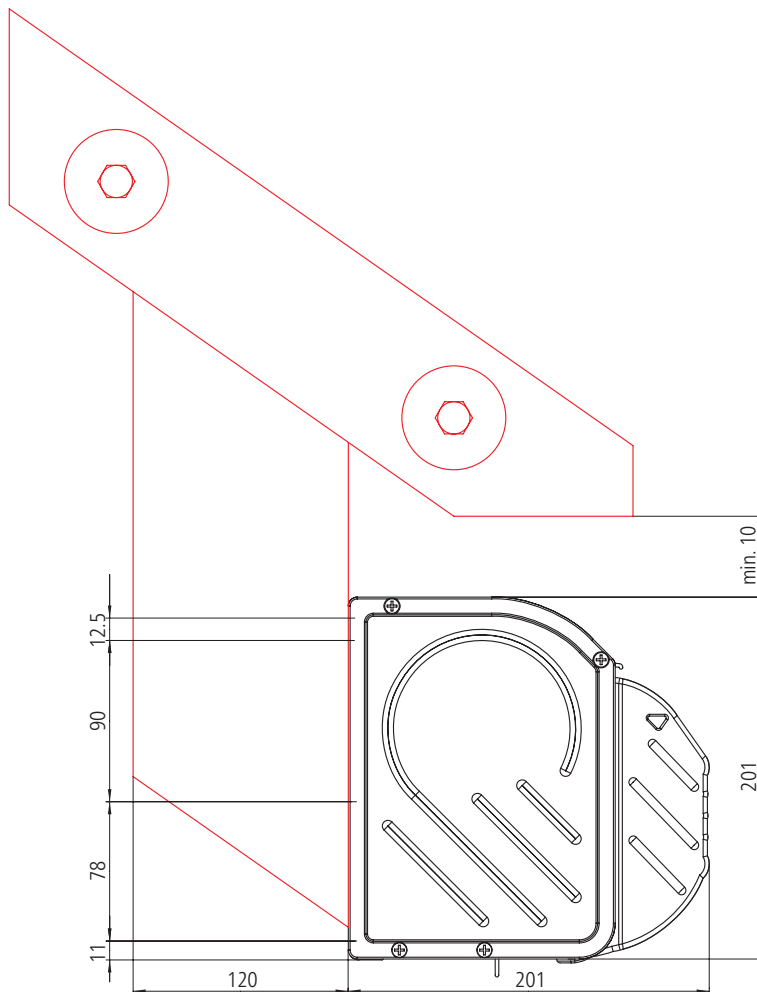
Right-hand rafter bracket



Rafter bracket with mounting plate for right-hand rafter. weinor recommends using mounting plates for rafter brackets.



Rafter bracket



Side view: rafter bracket installation

Extraction forces

The extraction force is the force with which the weight of the awning and the wind load pull on each upper fixing. The tables indicate this force in N per upper fixing. It varies depending on the awning size and the wall bracket/mounting plate used.

Selecting the wall bracket and anchoring system:

1. Consult relevant table for extraction force per fixing for selected awning size.
2. Select a wall bracket/mounting plate for which there is fixing material which can resist the indicated extraction force. Remember to take into account the spacing, the area which will be damaged if the fixing breaks out, the type of fixing material used and the mounting base.

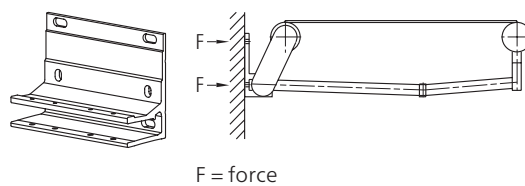
See separate bracket overview for other bases.

- 1 standard wall bracket (85 mm) plus 1 standard wall bracket (85 mm) as a central bracket from 401 cm, 1 standard wall bracket (85 mm) per awning arm, Fasteners: 4 in all
- 1 standard wall bracket (85 mm) plus 1 standard wall bracket (85 mm) as a central bracket from 401 cm, 2 standard wall brackets (85 mm) per awning arm, Fasteners: 8 in all or
- 1 wall bracket (260 mm) plus 1 standard wall bracket (85 mm) as a central bracket from 401 cm, 1 wall bracket (260 mm) per awning arm, Fasteners: 8 in all
- 1 wall bracket (260 mm) plus 1 standard wall bracket (85 mm) as a central bracket from 401 cm, 2 wall brackets (260 mm) per awning arm, Fasteners: 16 in all
- Mounting plate (280 x 240 mm) incl. 1 standard wall bracket (85 mm), standard wall bracket (85 mm) incl. base plate, Fasteners: 8 in all

Wall mounting on C20/25 concrete with up to 200 mm of facing extraction force in N per upper fixing for wall bracket

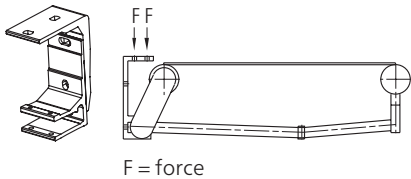
Width in cm	Projection in cm					
	150	200	250	300	350	400
250	932	1979	1955			
	466	990	978			
	233	495	489			
	270	400	568			
300	1076	1595	2257	2971		
	538	798	1129	1486		
	269	399	564	743		
	312	462	654	862		
350	1220	1811	2560	3372	4399	
	610	906	1280	1686	2200	
	305	453	640	843	1100	
	354	526	742	978	1276	
400	1364	2028	2862	3773	4912	6908
	682	1014	1431	1887	2456	3454
	341	507	716	943	1228	1727
	396	588	830	1094	1424	2004
450	1508	2244	3164	4174	5425	7653*
	754	1122	1582	2087	2713	3827
	377	561	791	1044	1356	1913
	438	650	918	1210	1574	2220
500	1652	2461	3466	4575	6736	8398*
	826	1231	1733	2288	3368	4199
	413	615	867	1144	1684	2100
	480	714	1006	1326	1954	2436
550	1796	2677	3768	5533	7331*	9143*
	898	1339	1884	2767	3666	4572
	449	669	942	1383	1833	2286
	520	776	1092	1634	2126	2868
600	1940	2894	4070	6095	7927*	9888*
	970	1447	2035	3048	3964	4944
	485	724	1018	1524	1982	2472
	562	840	1180	1768	2298	3084
650	2085	3110	4925	6558	8522*	10633*
	1043	1555	2463	3249	4261	5317
	521	778	1231	1640	2131	2658
	604	902	1428	1902	2472	3300
700	1486	2217	3514	4680	6079	7585
	743	1109	1757	2340	3040	3793
	372	554	879	1170	1520	1896
	430	642	1018	1358	1762	2200

* 2 brackets required per awning arm



Extraction forces

- 1 ceiling bracket with standard wall bracket (85 mm),
1 ceiling bracket with standard wall bracket as central bracket from 401 cm,
1 ceiling bracket with standard wall bracket (85 mm) per awning arm,
Fasteners: 4 in all
- 1 ceiling bracket with standard wall bracket (85 mm),
1 ceiling bracket with standard wall bracket as a central bracket from 401 cm,
2 ceiling brackets with standard wall brackets (85 mm) per awning arm,
Fasteners: 8 in all



Ceiling installation (on C20/25 concrete)

Extraction force in N per upper fastener in ceiling bracket

Width in cm	Projection in cm					
	150	200	250	300	350	400
250	1035	1524	2159	2846	3741	
	518	762	1080	1423	1871	
300	1202	1771	2500	3297	4318	
	601	886	1250	1649	2159	
350	1370	2017	2841	3749	4896	
	685	1009	1421	1875	2448	
400	1537	2263	3182	4200	5473	7650*
	769	1132	1591	2100	2737	3825
450	1705	2510	3523	4652	6051*	8483*
	853	1255	1762	2326	3026	4242
500	1852	2756	3864	5103	7473*	9316*
	926	1378	1932	2552	3737	4658
550	2039	3002	4205	6239*	8138*	10149*
	1020	1501	2103	3120	4069	5075
600	2207	3249	4546	6755*	8803*	10982*
	1104	1625	2273	3378	4402	5491
650	2374	3495	5451	7270*	9467*	11815*
	1187	1748	2726	3635	4734	5907**
700	1278	2495	3891	5190	6755	8433
	639	1248	1946	2595	3378	4217

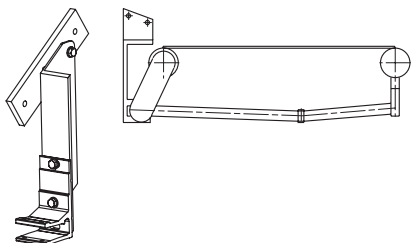
* 2 brackets required per arm

** Use dowels with permissible extraction force > 5.71 kN

Rafter mounting

Shear forces in N per bracket for rafter mounting

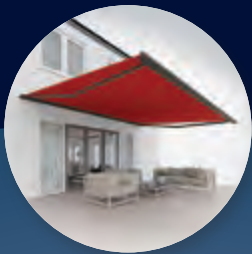
- 1 rafter bracket plus
1 standard wall bracket (85 mm),
one of each for left and right,
1 rafter bracket plus 1 standard wall bracket (85 mm) as central bracket from a width of 401 cm
- 1 rafter bracket plus
1 mounting plate for rafters plus
1 standard wall bracket (85 mm),
one of each for right and left,
1 rafter bracket plus 1 mounting plate for rafters plus
1 standard wall bracket (85 mm)
as a central bracket from a width of 401 cm



Width in cm	Projection in cm					
	150	200	250	300	350	400
250	1352	2004				
	621	885				
300	1562	2319	3294			
	721	1027	1421			
350	1773	2634	3734	4940		
	821	1169	1614	2102		
400	1983	2949	4174	5526	7223	
	921	1312	1807	2353	3033	4215
450	2194	3264	4614	6112	7962	11236
	1021	1454	2000	2605	3353	4672
500	2405	3579	5054	6698	4916	6157
	1121	1596	2193	2857	2062	2564
550	2615	3894	5495	8181	5350	6704
	1221	1738	2386	3472	2245	2793
600	2826	4209	5935	8853	5785	7250
	1321	1881	2578	3758	2429	3021
650	3036	4524	7114	9525	6220	7796
	1421	2023	3070	4045	5223	3249
700	2389	3499	5431	7223	4715	5892
	1174	1623	2404	3129	2011	2487



Premium quality
made in Germany



Awning



Awning
with Valance Plus
and Tempura



Awning
with Valance Plus
and Paravento



Pergola awning
Plaza Viva
and Paravento



Pergola awning
weinor PergoTex II
and Tempura



Pergola awning
weinor PergoTex II
with VertiTex II



Terrazza
patio roof
with Sottezza II
sun protection



Terrazza Pure patio roof
with lateral SUPER LITE
fixed glazing



Glasoase® with
conservatory awning
WGM Top and full glass
sliding door w17 easy

AWNINGS

PERGOLA AWNINGS

CUSTOMISED, SYSTEMISED SOLUTIONS

PATIO ROOFS AND GLASOASE®

