

Honoured with:



Cassette awning

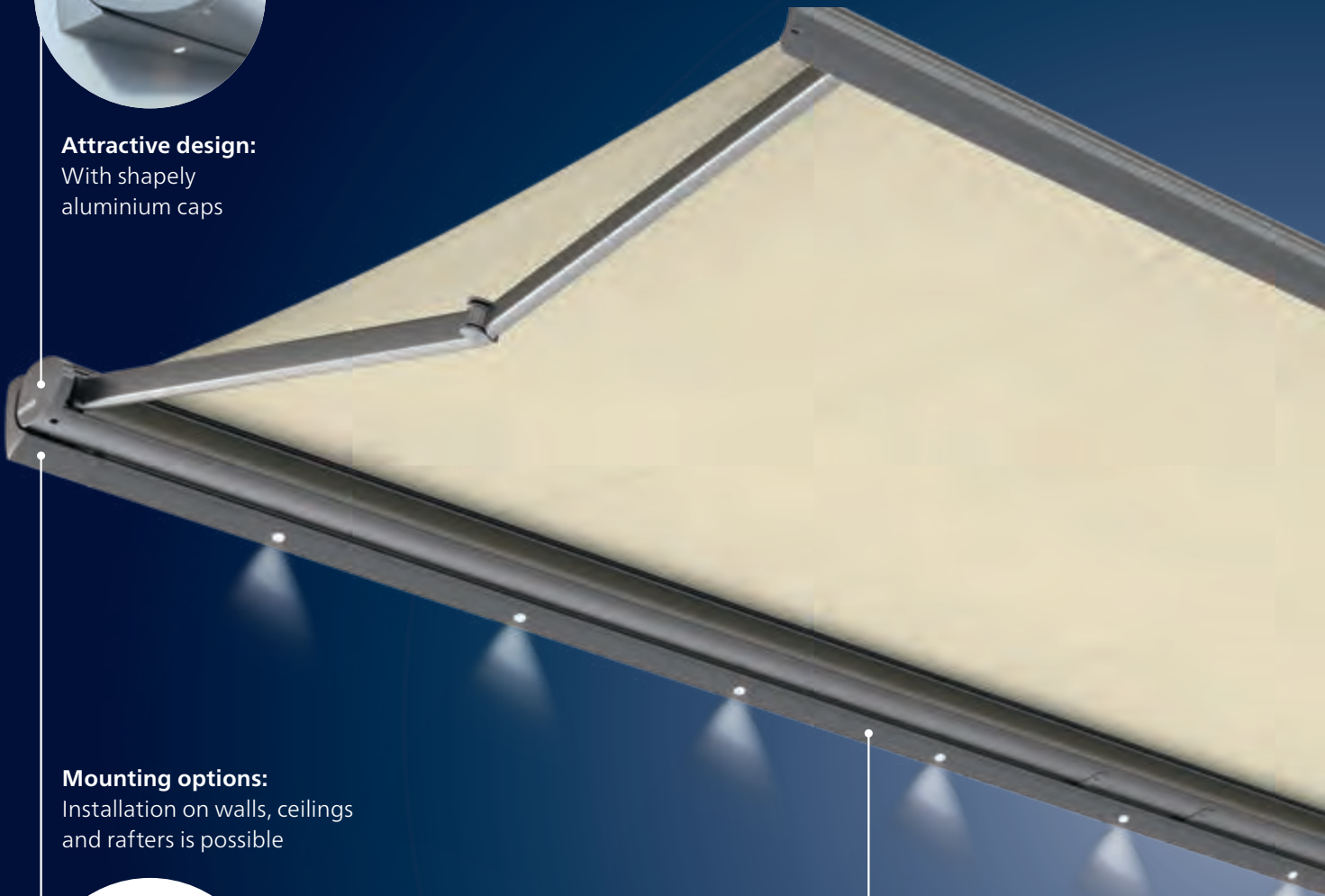
Cassita II

Cassita II LED

With its slim, purist design, the **Cassita II** is in perfect harmony with modern home interior trends. Despite its ultra-slim design, the cassette is packed with a wealth of technological innovations. The minimalist look of the two-point suspension system underlines the contemporary design. Its dimensions make the **Cassita II** the ideal sun protection system for most patio sizes.



Attractive design:
With shapely
aluminium caps



Mounting options:
Installation on walls, ceilings
and rafters is possible



Wall
mounting



Ceiling
mounting



Rafter mounting

Variant Cassita II LED:
Pleasant patio lighting



Cassita II Highlights



Slim cassette:
Can be installed
beneath the ceiling



Two-point mounting:
quick assembly, slimline
design



**Adjust the pitch to
any angle:**
Simple and safe



weinor LongLife arm:
Very durable and
low-noise



Cassita II Benefits



New design – with shapely aluminium caps

At just 12 cm high, the elegant weinor Cassita II cassette is especially slim. Nonetheless it houses all the technology and protects it reliably from the elements.

- New, purist design
- Harmonious, slim oval shape
- Beautifully-shaped aluminium caps with distinctive weinor logo
- Excellent protection for the fabric and fittings



Two-point mounting – elegant and quickly installed

The folding arms on the Cassita II are placed directly on the head-plates. This means that only two brackets are required to install the awning.

- Easy to install on a wall: just two wall mountings
- Highlights the overall elegance of the unit
- Screws are hidden from sight



Adjust the pitch to any angle – simple and safe

The Cassita II comes with a practical adjusting bracket on the awning cassette, making it especially easy to adjust the angle.

- Set to any angle from 5 – 45° by turning the cassette
- Easy to install
- Stays in place and remains stable even in surging winds



Cassita II LED – with flush patio lighting

The Cassita II LED provides pleasant lighting on your patio. The light bar matches the colour of the cassette and the spotlights are hidden out of sight.

- 30,000 hours of lighting with minimal energy consumption
- Highly energy-efficient

Cassita II Technology

Cassita II versions	Cassita II	Cassita II LED
Technology		
Max. width	550 cm	550 cm
Max. projection	300 cm	300 cm
Cassette size (w x h) incl. standard bracket	266 x 155 mm	266 x 155 mm
Coupled systems	—	—
Gear drive*	○	—
Motor drive	● as standard	● as standard
Angle of pitch on awning	5° to 45°	5° to 45°
Installation alternatives	can be installed on walls, ceilings and rafters	
Lighting	—	● LED light bar
OptiNut roller tube	● as standard	● as standard
LongLife arm	● as standard	● as standard
Accessories		
Heating system Tempura/Tempura Quadra	○	○
BiSens Agido-3V product protection sensor	○	○
Controls		
Radio control	○	○
No remote	●	●
Weather sensors		
Sun/wind sensor BiConnect BiSens SW-230 V	○	○
Sun/wind sensor solar powered BiConnect BiSens SW-Solar+	○	○
Sun/wind/rain sensor BiConnect-BiSens-SWR-230V	○	○
Quality		
Tested up to	wind resistance class 2 according to DIN 13561 (wind strength 5 on the Beaufort scale)	

* A maximum pitch of 25° may be set.

● standard ○ optional — unavailable

Cassita II LED



LED lighting – 30,000 hours of lighting require minimal energy consumption

The select LED components represent the very best in weinor quality:

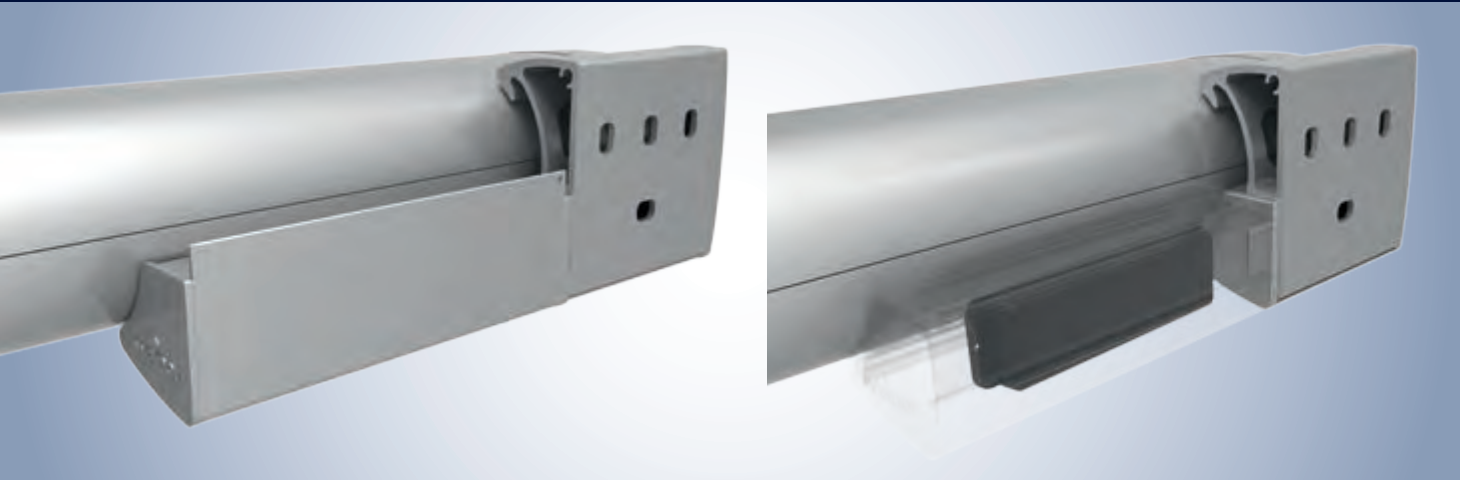
- Flush installation
- Atmospheric light thanks to special glass lenses
- Lighting remains on even when awning is retracted
- Highly energy-efficient
- Operating life of 30,000 hours
- Infinitely dimmable when used with BiConnect radio control
- Easy to service: simply replace individual LED lights without uninstalling the awning

Integrated LED lighting

Awning width in cm	Number of separate LED spotlights	Awning width in cm	Number of separate LED spotlights
180 – 219	3	385 – 439	7
220 – 274	4	440 – 494	8
275 – 329	5	495 – 550	9
330 – 384	6		

Cassita II Controls

Installation location for electrical components



The receiver box is accommodated in the wall bracket.

Note:
There is less need for a bracket cover when ordering a BiConnect.

weinor BiConnect radio controller

Product	Electronics	BiConnect control	Remote receiver	Transmitter
Cassita II	Cassita II drive	<ul style="list-style-type: none"> • BiRec receiver integrated into cassette 	BiRec MA-K	<ul style="list-style-type: none"> • BiEasy 1M/5M/15M Go! hand transmitter • App • 1MW-3V wall transmitter
Cassita II LED	Cassita II drive and LED lighting	<ul style="list-style-type: none"> • BiRec combi-receiver for main drive and LED light bar (with integrated power supply pack) integrated into light bar • Dimmable LED 	BiRec MLED	<ul style="list-style-type: none"> • BiEasy 5M/15M Go! hand transmitter • App
Accessories (optional)	Tempura/Tempura Quadra heating system	<ul style="list-style-type: none"> • Dimmable, additional receiver required • Installation of the receiver in the design bar provided for this purpose or the Tempura Quadra box 	BiRec HD	<ul style="list-style-type: none"> • BiEasy 5M/15M Go! hand transmitter • App

Requires: awning with BiConnect remote control and sensors require a BiEasy 1M, 5M or 15M Go!

Cassita II Controls

Somfy io-homecontrol® radio technology

Product	Electronics	Somfy io-homecontrol control	Remote receiver	Transmitter
Cassita II	Cassita II drive	<ul style="list-style-type: none"> Somfy io remote-controlled motor integrated into cassette 	Somfy io remote-controlled motor	<ul style="list-style-type: none"> Situo 1 io Pure/Situo 5 io Pure/Situo 5 io Pure Variation A/M hand transmitter Smoove 1 io Pure Shine wall transmitter
Cassita II LED	Cassita II drive and LED lighting	<ul style="list-style-type: none"> Somfy io remote-controlled motor integrated into cassette Additional Somfy receiver for the LED light bar (with downstream power supply pack) integrated into light bar LED not dimmable 	Somfy io remote-controlled motor and Lighting Receiver io	<ul style="list-style-type: none"> Situo 5 io Pure/Situo 5 io Pure Variation A/M hand transmitter
Accessories (optional)	Tempura/Tempura Quadra heating system	<ul style="list-style-type: none"> Not dimmable, additional receiver required Installation of the receiver in the design bar provided for this purpose or the Tempura Quadra box 	Heating Slim Receiver on/off io 2KW STAS3/STAK3	<ul style="list-style-type: none"> Situo 5 io Pure/Situo 5 io Pure Variation A/M hand transmitter Smoove 1 io Pure Shine wall transmitter

Somfy RTS radio technology

Product	Electronics	Somfy RTS control	Remote receiver	Transmitter
Cassita II	Cassita II drive	<ul style="list-style-type: none"> Somfy RTS remote-controlled motor integrated into cassette 	Somfy RTS remote-controlled motor	<ul style="list-style-type: none"> Telis 1 RTS Pure/Telis 1 Soliris RTS Pure/Telis 4 RTS Pure/Telis 4 Soliris RTS Pure hand transmitter Smoove 1 wall transmitter
Cassita II LED	Cassita II drive and LED lighting	<ul style="list-style-type: none"> Somfy RTS remote-controlled motor integrated into cassette Additional Somfy receiver for the LED light bar (with downstream power supply pack) integrated into light bar LED not dimmable 	Somfy RTS remote-controlled motor and Lighting Slim Receiver RTS	<ul style="list-style-type: none"> Telis 4 RTS Pure/Telis 4 Soliris RTS Pure hand transmitter
Accessories (optional)	Tempura/Tempura Quadra heating system	<ul style="list-style-type: none"> Not dimmable, additional receiver required Installation of the receiver in the design bar provided for this purpose or the Tempura Quadra box 	Heating Slim Receiver RTS Plug	<ul style="list-style-type: none"> Telis 4 RTS Pure/Telis 4 Soliris RTS Pure hand transmitter

Note:

Please see the "Accessories" technical brochure for further details regarding the drive and control.

Some options are subject to a surcharge. For prices, please refer to the weinor awnings price list.

Hard wired with Somfy control

Product	Electronics	Hard wired Somfy control	Control
Cassita II	Cassita II drive	<ul style="list-style-type: none"> • Somfy control for awning drive 	e.g. Soliris Smoove Uno
Cassita II LED	Cassita II drive and LED lighting	<ul style="list-style-type: none"> • Somfy control for awning drive • Switch on site for the LED light bar • LED power supply pack integrated into light bar • LED not dimmable 	e.g. Soliris Smoove Uno and suitable light switch (on site)
Accessories (optional)	Tempura/Tempura Quadra heating system	<ul style="list-style-type: none"> • Not dimmable 	Suitable switch (on site)

Hard wired (existing switch/power supply on site)

Product	Electronics	Hard wired control	Control
Cassita II	Cassita II drive	<ul style="list-style-type: none"> • Awning switch for the awning drive 	e.g. double rocker switch (on site)
Cassita II LED	Cassita II drive and LED lighting	<ul style="list-style-type: none"> • Awning switch for the awning drive • Switch on site for the LED light bar • LED power supply pack integrated into light bar • LED not dimmable 	e.g. double rocker switch and suitable light switch (on site)
Accessories (optional)	Tempura/Tempura Quadra heating system	<ul style="list-style-type: none"> • Not dimmable 	Suitable switch (on site)

Gear drive (optional)

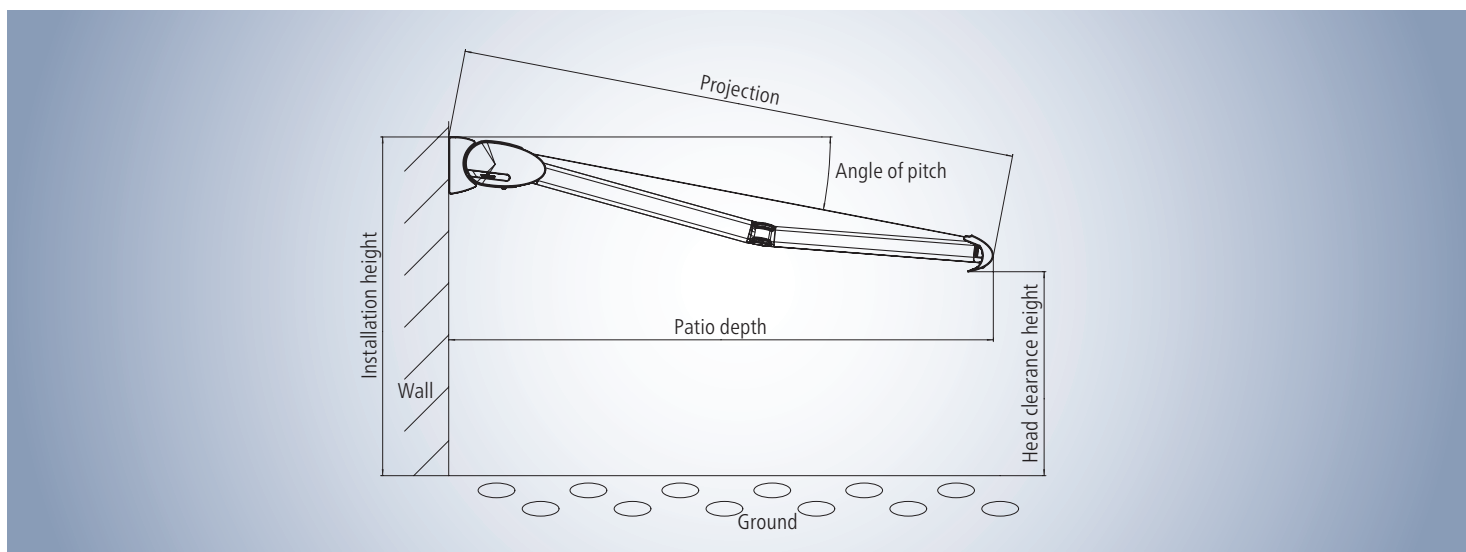


The Cassita II can, of course, also be extended and retracted using a crank. This option is recommended whenever it is hard to connect to an electrical power source on the site or if the awning is not frequently used.

The weinor Cassita II has a universal bevel gear system

- With an end stop that can be set from outside
- Tested according to DIN EN 14203
- Freewheel device when extended
- A maximum pitch of 25° may be set.

Cassita II Planning



Site measurements – determining the projection and head clearance height

- Find the projection by looking in the “Projection” table for the terrace depth.
- Using the projection from the table and the required angle of pitch, consult the “head clearance height” table for the head clearance height. This head clearance height refers to an installation height of 300 cm.
- Add/subtract the difference between 300 cm and the actual installation height to/from the head clearance height in the table.

Determining the projection

Angle of pitch	Terrace depth in cm			
	150	200	250	300
5°	150	200	250	300
15°	160	210	260	310
25°	170	220	280	330

Projection in cm (rounded figures)

This table can be used to find the awning projection for any given horizontal patio depth.

Determining the head clearance height

Angle of pitch	Projection in cm			
	150	200	250	300
5°	280	270	270	260
15°	250	240	230	210
25°	230	210	180	160

Head clearance height in cm (rounded figures)

This table is used to find the head clearance heights for various projections when the angle of pitch is 5°, 15° or 25°.

This table is based on the example of an installation height of 300 cm (upper edge of awning).

Wall bracket

Sizes and bracket recommendations

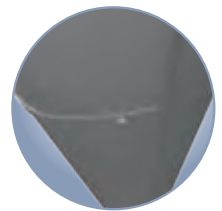


Width in cm	Number of arms	Projection in cm (irregular figures possible)			
		150	200	250	300
– 250	2	●	●	●	
251 – 300	2	●	●	●	●
301 – 350	2	●	●	●	●
351 – 400	2	●	●	●	●
401 – 450	2	●	●	●	●
451*– 500	2	●	●	●	●
501 – 550	2	●	●	●	●

- Cassita II standard wall bracket
- Mounting plate 200 x 260 incl. 1 standard wall bracket and covers

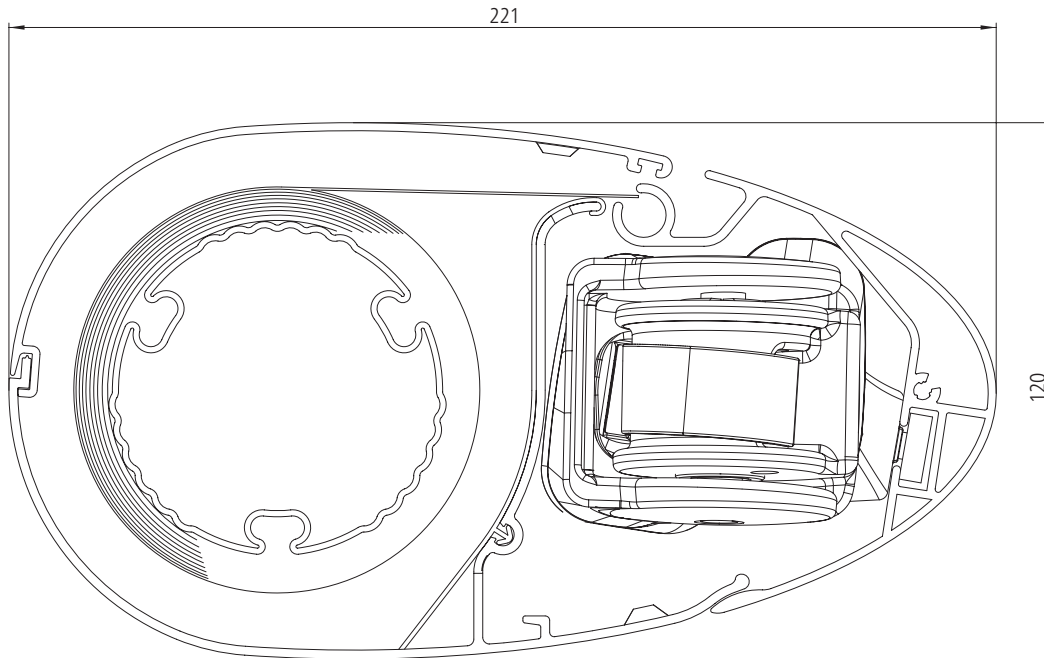
Wall mounting on C20/25 concrete
with up to 200-mm facing, wind resistance class 2 and a permissible centic tensile load of 5.71 kN for anchor bolts

* Two housing clips are always used for widths of 451 cm and higher. These are positioned 75 cm to the left and right of the centre of the cassette.

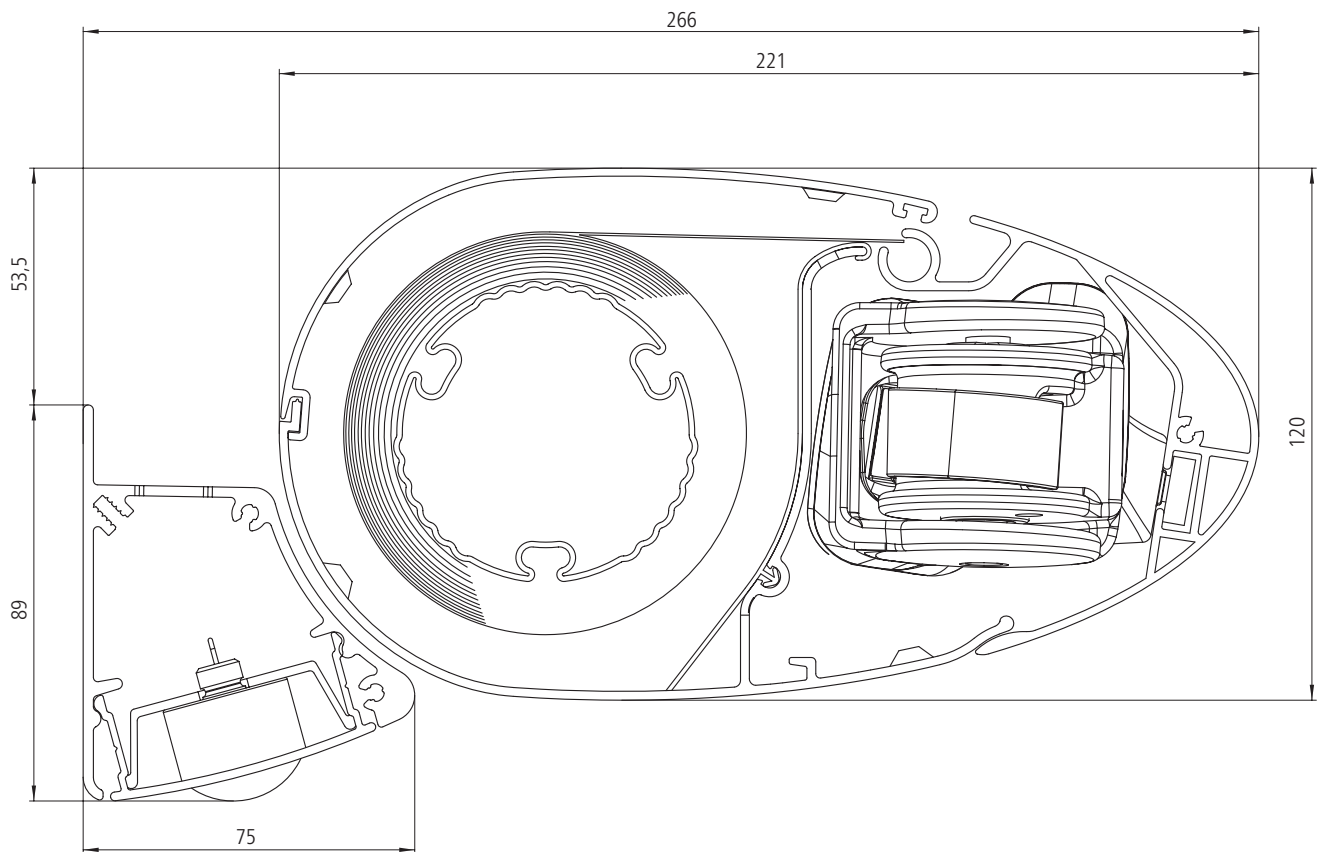


Cross-sections

weinor Cassita II



weinor Cassita II LED



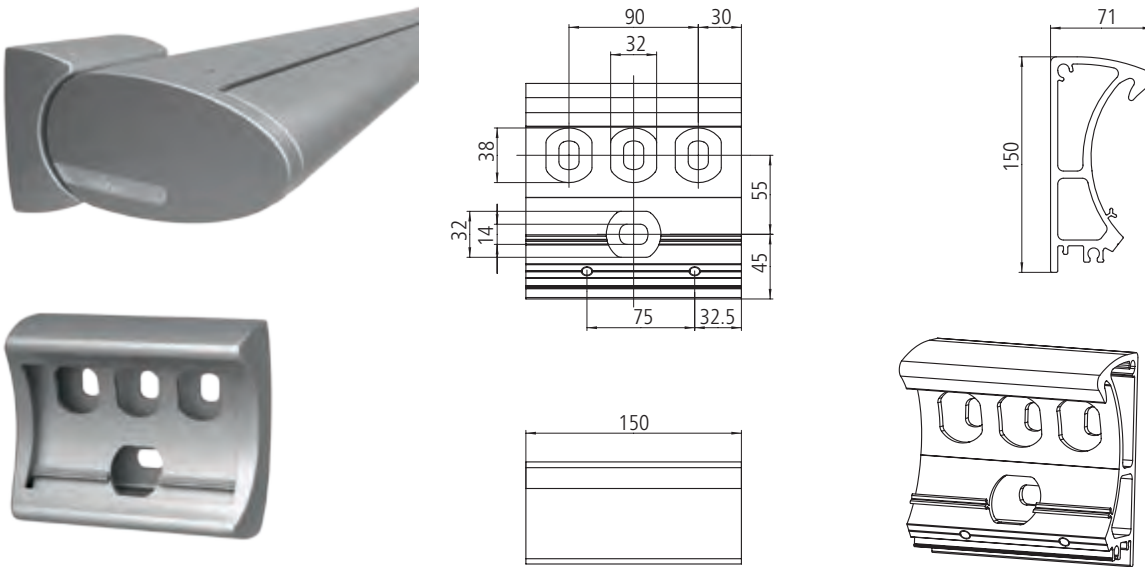
Cassita II Installation

Installation on walls, ceilings and rafters is possible

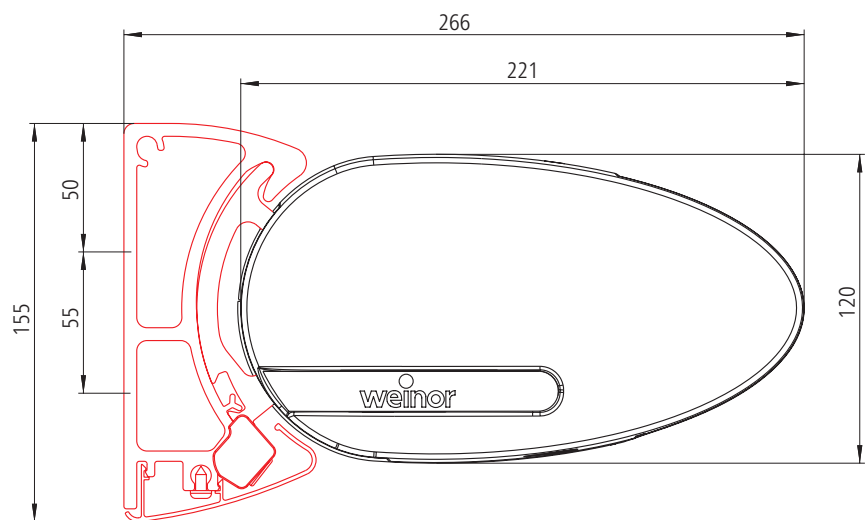
01

Its construction means that the weinor Cassita II can be mounted in a wide range of ways: not only on walls but also ceilings or rafters. The brackets and mounting plates are made of extruded, powder-coated aluminium.

Wall mounting – brackets



Standard wall bracket



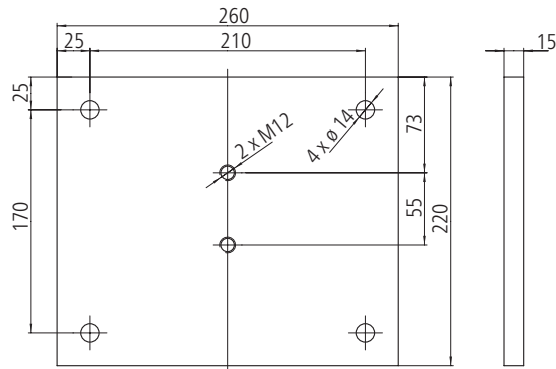
Cassita II with standard wall bracket

Cassita II Installation

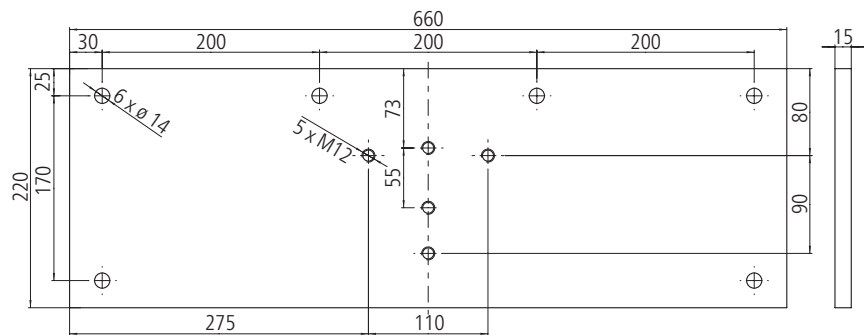
Wall mounting – mounting plates



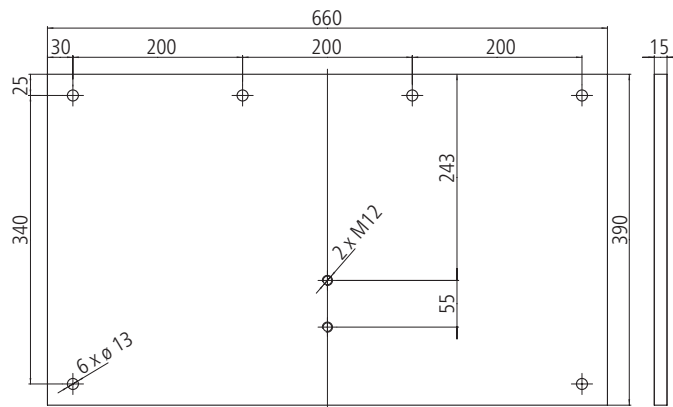
Mounting plate, 260 x 220 x 15 mm + standard wall bracket



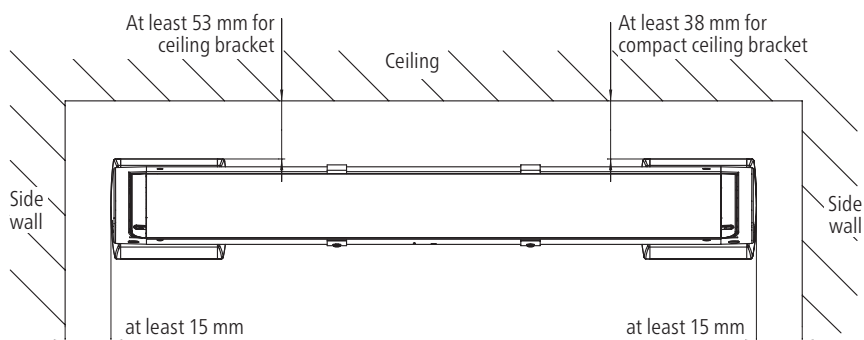
Mounting plate, 660 x 220 x 15 mm + standard wall bracket



Mounting plate, 660 x 390 x 15 mm + standard wall bracket



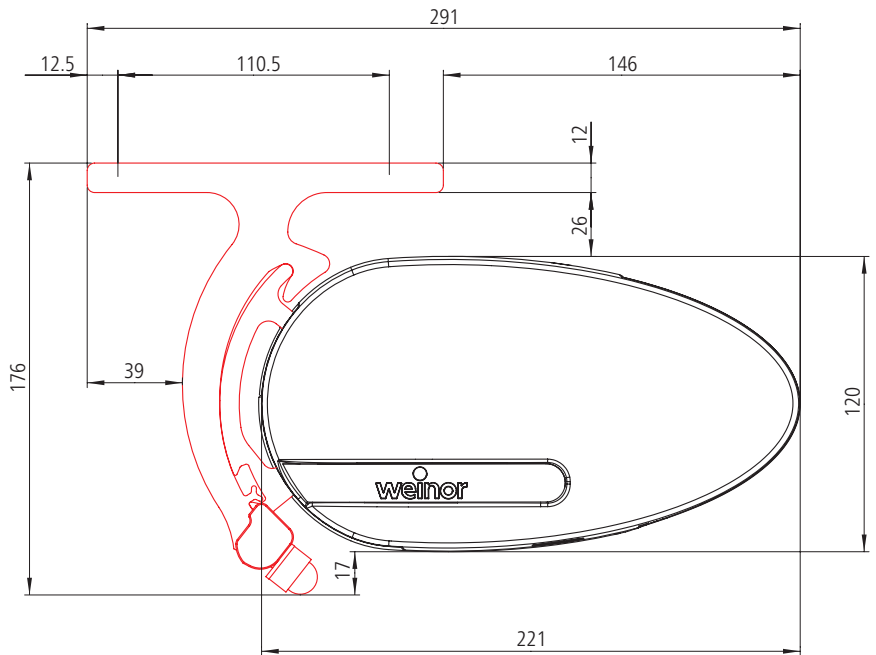
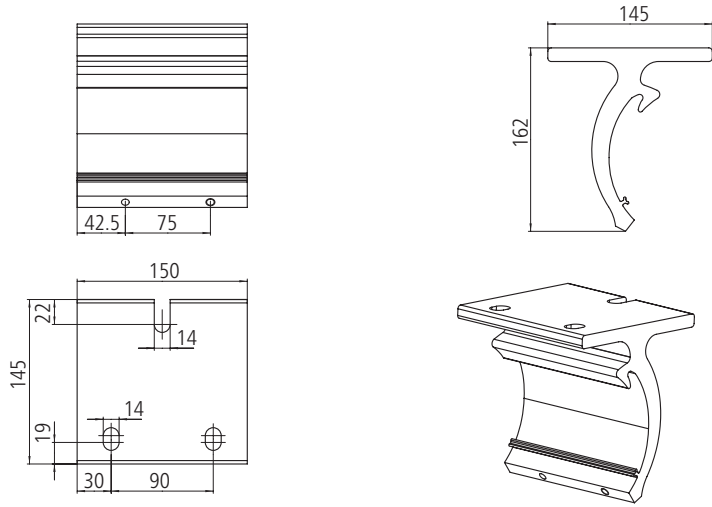
Minimum spacing distances for installation



Ceiling installation I



Compact ceiling installation: a stable, elegant solution (not possible with Cassita II LED)

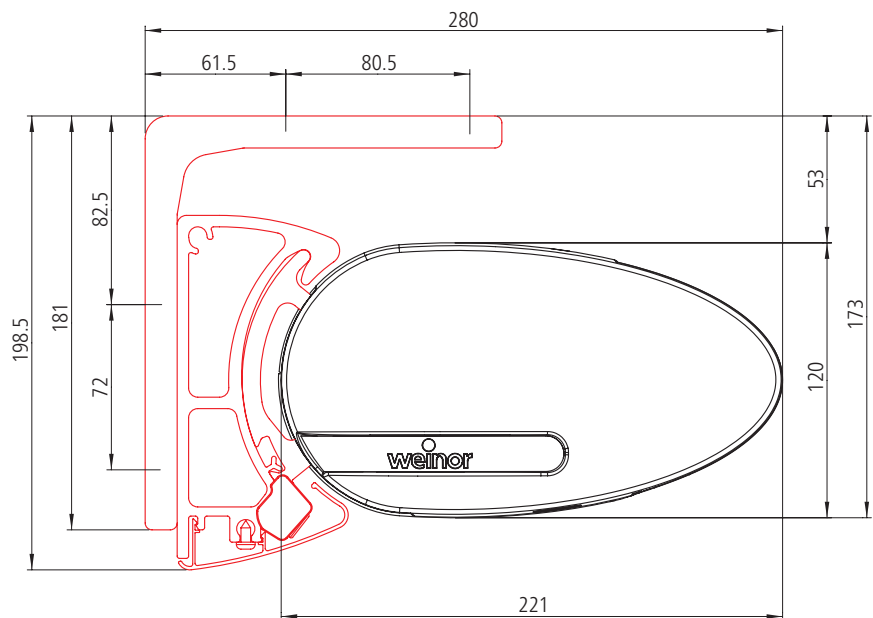
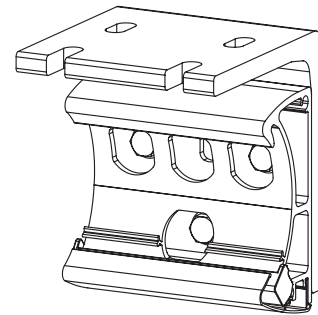
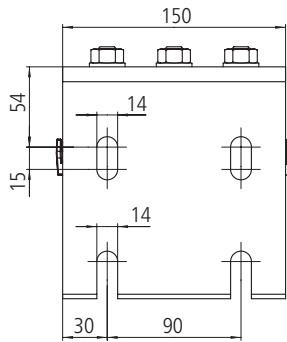
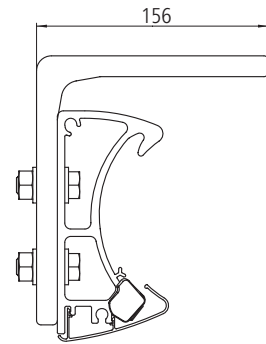
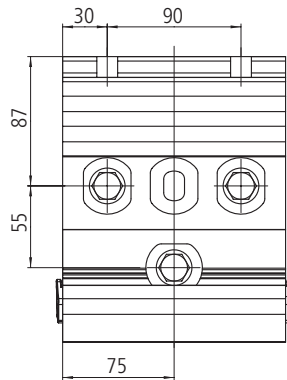


Cassita II Installation

Ceiling installation II



Ceiling installation specifically for Cassita II LED: with wall bracket and ceiling bracket





Extraction forces

The extraction force is the force with which the weight of the awning and the wind load pull on each upper fixing. The tables indicate this force in N per upper fixing. It varies depending on the awning size and the wall bracket/mounting plate used.

Selecting the wall bracket and anchoring system:

1. Consult relevant table for extraction force per fixing for selected awning size.

2. Select a wall bracket/mounting plate for which there is fixing material which can resist the indicated extraction force. Remember to take into account the spacing, the area which will be damaged if the fixing breaks out, the type of fixing material used and the mounting base.

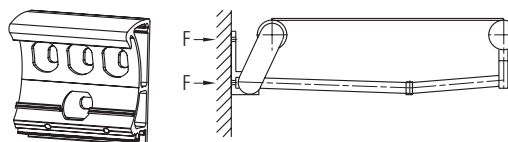
See separate bracket overview for other bases.

- 1 standard wall bracket (150 mm) and covers, 1 standard wall bracket (150 mm) and covers per awning arm
Fasteners: 6* in total
- Mounting plate, 260 x 220 mm incl. 1 standard wall bracket (150 mm) and covers
Fasteners: 8* in total
- Mounting plate, 660 x 220 mm incl. 1 standard wall bracket (150 mm) and covers
Fasteners: 12* in total
- Mounting plate, 660 x 390 mm incl. 1 standard wall bracket (150 mm) and covers
Fasteners: 12* in total
- Installation on front of concrete ceiling with 1 standard wall bracket (150 mm) and covers, 1 standard wall bracket (150 mm) and covers per awning arm
Fasteners: 6* in total

* number of fixings required on site



Wall mounting on C20/25 concrete with up to 200 mm of facing extraction force in N per upper fixing for wall bracket

Width in cm	Projection in cm			
	150	200	250	300
250	1082	1646	2370	
	322	489	705	
	161	245	352	
	84	127	184	
	1322	2011	2897	3874
300	1248	1900	2731	3654
	371	565	812	1086
	186	282	406	543
	97	147	212	283
	1525	2323	3338	4466
350	1414	2155	3092	4139
	420	641	919	1230
	210	320	460	615
	110	167	240	321
	1729	2634	3779	5059
400	1580	2410	3453	4623
	470	716	1027	1375
	235	358	513	687
	122	187	267	358
	1932	2945	4220	5651
450	1747	2665	3814	5108
	519	792	1134	1519
	260	396	567	759
	135	206	295	396
	2135	3257	4661	6243
500	1913	2919	4175	5592
	569	868	1241	1663
	284	434	621	831
	148	226	323	433
	2338	3568	5102	6835
550	2079	3174	4535	6025
	618	944	1348	1819
	309	472	674	909
	161	246	351	466
	2541	3879	5543	7464



F = force

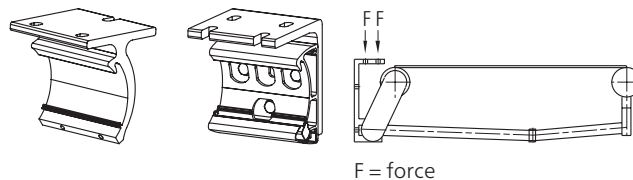
Extraction forces

-  1 standard wall bracket (150 mm) with ceiling bracket, 1 standard wall bracket (150 mm) with ceiling bracket per awning arm
Fasteners: 8* in total
 -  1 compact ceiling bracket, 1 compact ceiling bracket per awning arm
Fasteners: 6* in total
- * number of fixings required on site

Ceiling installation (on C20/25 concrete)



Extraction force in N per upper fastener in ceiling bracket

Width in cm	Projection in cm			
	150	200	250	300
250	469	705	1011	
	509	769	1106	1483
300	544	817	1169	1564
	591	892	1278	1713
350	620	930	1326	1775
	673	1014	1450	1944
400	695	1042	1484	1986
	755	1137	1622	2174
450	771	1155	1641	2196
	837	1259	1794	2405
500	846	1267	1799	2407
	918	1382	1966	2635
550	922	1380	1956	2959
	1000	1504	2138	3241

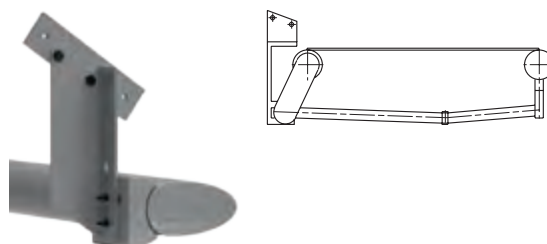


Rafter mounting

Shear forces in N per bracket for rafter mounting

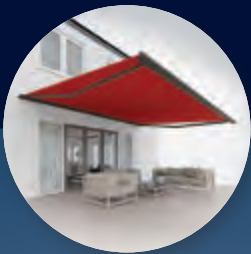
-  1 rafter bracket and 1 standard wall bracket (150 mm) and covers, each for left- and right-hand side
-  1 rafter bracket and 1 mounting plate and 1 standard wall bracket (150 mm) and covers, each for left- and right-hand side

Width in cm	Projection in cm			
	150	200	250	300
250	1205	1826	2633	
	562	813	1139	
300	1394	2113	3037	4075
	653	944	1317	1737
350	1583	2399	3441	4618
	744	1074	1495	1971
400	1772	2685	3845	5160
	836	1205	1674	2206
450	1961	2971	4248	5703
	927	1335	1852	2440
500	2150	3257	4652	6245
	1018	1466	2030	2674
550	2339	3543	5056	7672
	1110	1596	2208	3266





Premium quality
made in Germany



Awning



Awning
with Valance Plus
and Tempura



Awning
with Valance Plus
and Paravento



Pergola awning
Plaza Viva
and Paravento



Pergola awning
weinor PergoTex II
and Tempura



Pergola awning
weinor PergoTex II
with VertiTex II



Terrazza
patio roof
with Sottezza II
sun protection



Terrazza Pure patio roof
with lateral SUPER LITE
fixed glazing



Glasoase® with
conservatory awning
WGM Top and full glass
sliding door w17 easy

AWNINGS

PERGOLA AWNINGS

CUSTOMISED, SYSTEMISED SOLUTIONS

PATIO ROOFS AND GLASOASE®

